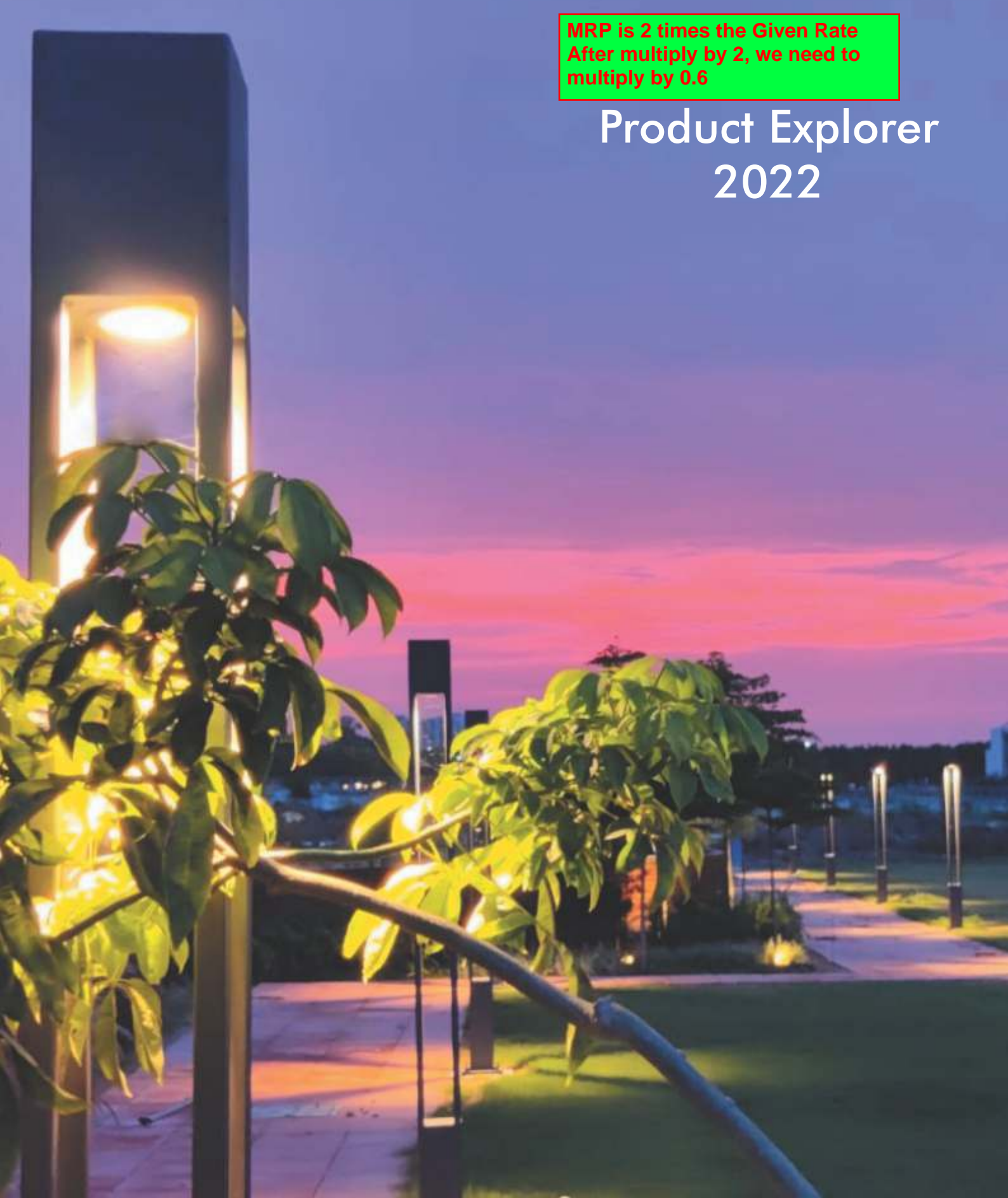


MRP is 2 times the Given Rate
After multiply by 2, we need to
multiply by 0.6

Product Explorer 2022



see life in true light

MAYFAIR[®]
P O L E S
— SINCE 1964 —

INDEX



INTRODUCTION

01



MODERN DESIGNS POST

04



HERITAGE DESIGN POST

21



BRACKET DESIGNS

45



OCTAGONAL POLES

53



HIGH MAST POLES

55

Company Profile

Established in the Year 1964, We **MAYFAIR**[®] offer a variety of lighting solutions for Commercial, industrial, Residential & Outdoor Lighting. With over 5 decades of lighting experience, we are the one of the leading manufacturers and suppliers of a wide range of Lighting fixtures, LED Luminaries, Decorative Poles Octagonal & High Mast Poles and their accessories.

At **MAYFAIR**[®] quality, trust & reliability is our motto of working & hence our manufacturing is being looked after by qualified engineers & all the accessories used by us are confirming to ISS Standards.

Our Marketing team is our greatest & strongest resource that poses a profound and intense depth of knowledge in the respective field of Lighting. Owing to the dedicated efforts of our team, we always meet the targets and goals set by our organization.

MAYFAIR[®] has developed an advanced infrastructure which is segregated into different units such as manufacturing, quality assurance, warehousing and R&D and has all the sophisticated and latest machinery that in turn helps us to deliver the best qualitative products to the customers. These products render a really distinctive & sophisticated look in Banks, Offices, Schools & Colleges, Residential Complexes, Resorts, Hotels, Industries, Highways, Petrol Pumps, Yard Lighting & Stadiums.



CLIENTELE



OUR FACTORY



PROJECTS DONE BY US



Enrich Agro(Coca Cola), Rohtak



Sarvodaya Hospital, Faridabad



Genesis Global School (Waves), Noida



GD Goenka School, Bihar



Shiv Nadar University (HCL), Noida



Heritage Schools, NCR



Conscient Football Ground, Vasant Kunj



Starling Mall(Outdoor), Noida



Starling Mall(Indoor), Noida



Theobroma, Delhi



Street Nine Fashion Store, Noida



Cafe 26 , Noida



Kidwai Nagar, Delhi



Kurukshetra, Haryana



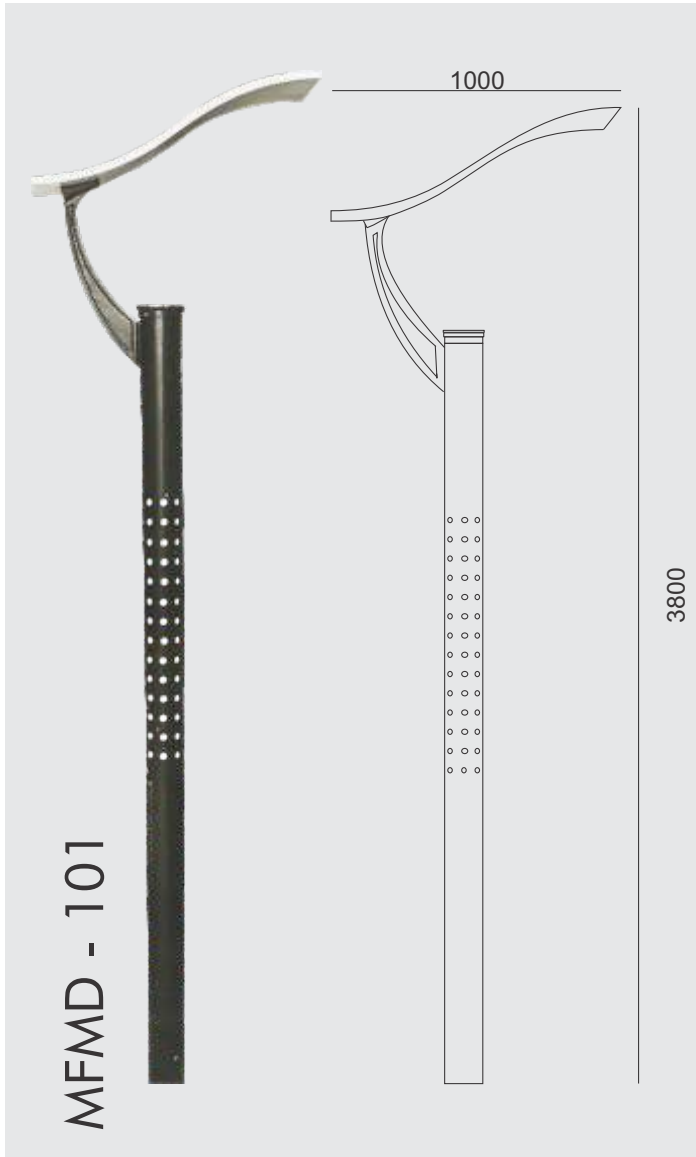
Atal Sadan (Indoor Stadium), Kullu

MODERN DESIGN POSTS



Project – Shiv Nadar University, Dadri Noida

**MRP is 2 times the Given Rate
After multiply by 2, we need to
multiply by 0.6**



MFMD - 101

Decorative indirect pole made of galvanised Mild steel pipes fitted with cast aluminum Fixture duly polyurethane paint coated fitted with 40watt LED lamp and 2nos LED tubes.

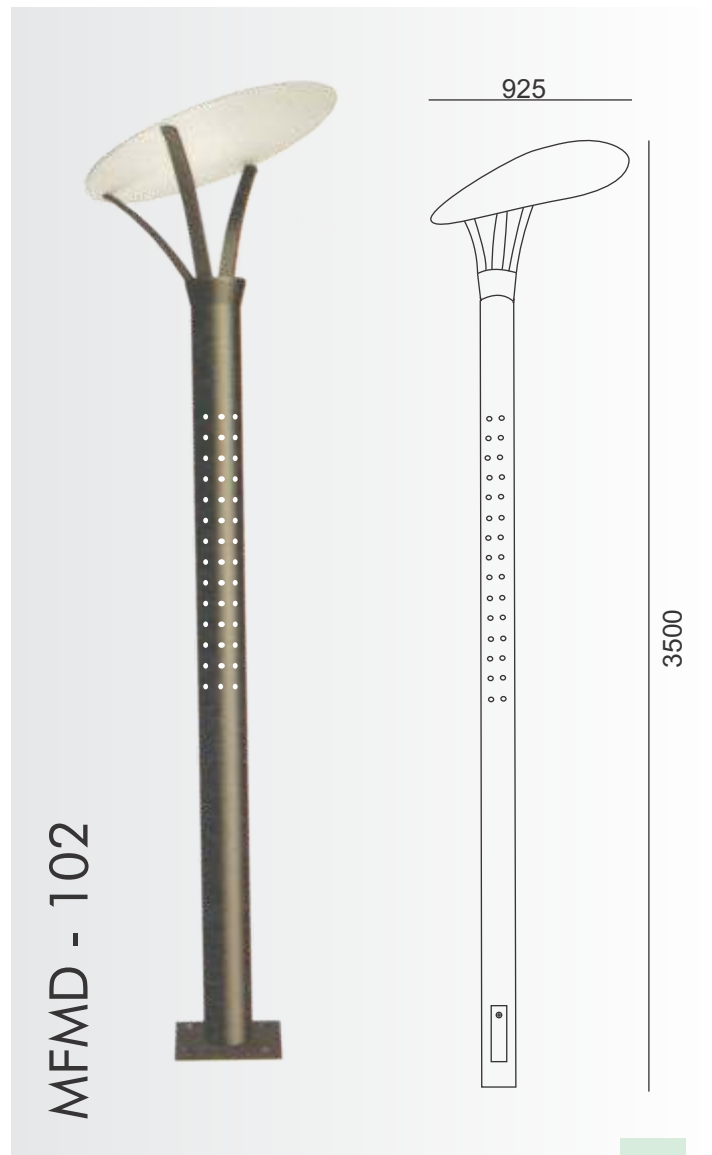
Height	Wattage	Base Plate	M.R.P.
3800mm	40watt LED	300x300x12mm	42500.00

**MRP is 2 times the Given Rate
After multiply by 2, we need to
multiply by 0.6**

MFMD - 102

Decorative indirect pole made of galvanised Mild steel pipes fitted with cast aluminum Fixture duly polyurethane paint coated fitted with 40watt LED lamp and 2nos LED tubes.

Height	Wattage	Base Plate	M.R.P.
3500mm	40watt LED	300x300x12mm	42500.00

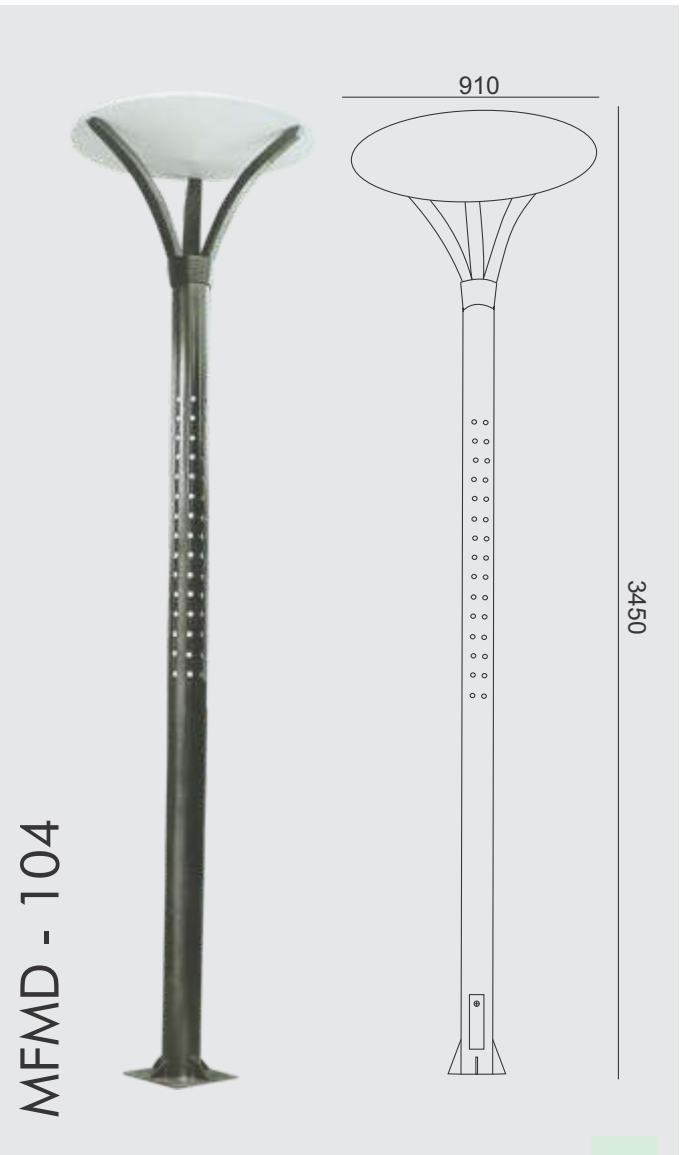
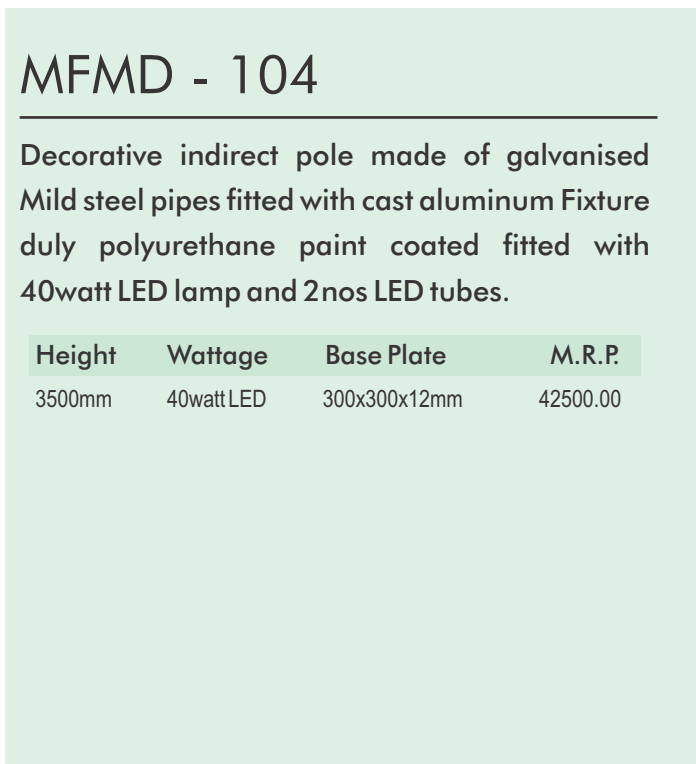




MFMD - 103

Decorative indirect pole made of galvanised Mild steel pipes fitted with cast aluminum Fixture duly polyurethane paint coated fitted with 40watt LED lamp and 2nos LED tubes.

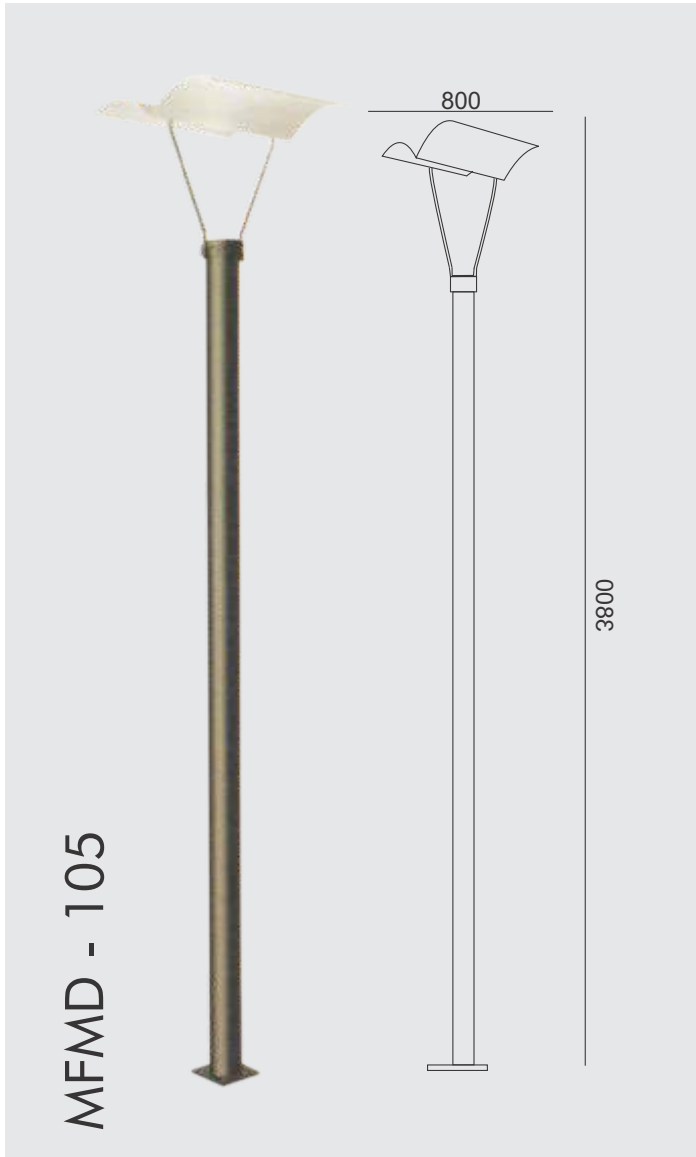
Height	Wattage	Base Plate	M.R.P.
3800mm	40watt LED	300x300x12mm	42500.00



MFMD - 104

Decorative indirect pole made of galvanised Mild steel pipes fitted with cast aluminum Fixture duly polyurethane paint coated fitted with 40watt LED lamp and 2nos LED tubes.

Height	Wattage	Base Plate	M.R.P.
3500mm	40watt LED	300x300x12mm	42500.00

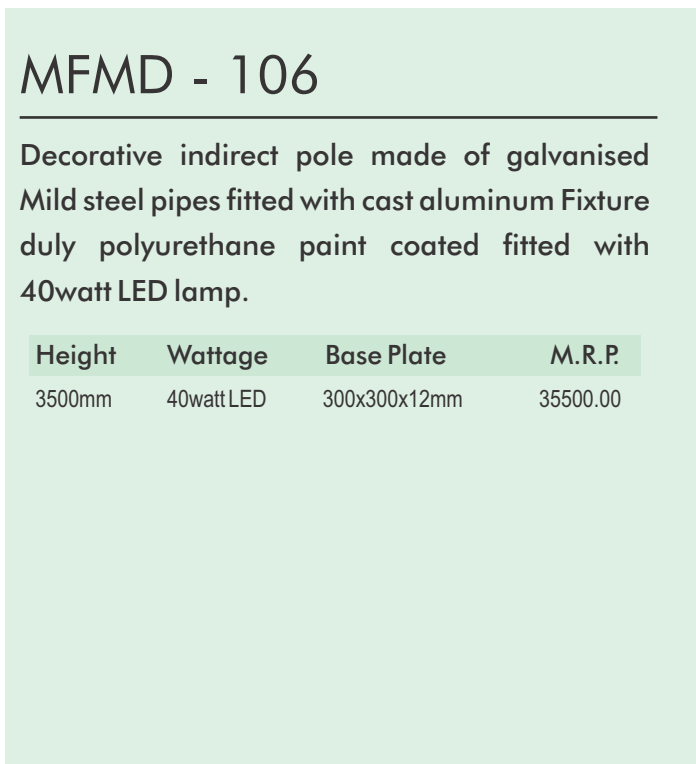


MFMD - 105

MFMD - 105

Decorative pole made of galvanised Mild steel pipes fitted with cast aluminum Fixture duly polyurethane paint coated fitted with 40watt LED lamp.

Height	Wattage	Base Plate	M.R.P.
3500mm	40watt LED	300x300x12mm	35500.00



MFMD - 106

MFMD - 106

Decorative indirect pole made of galvanised Mild steel pipes fitted with cast aluminum Fixture duly polyurethane paint coated fitted with 40watt LED lamp.

Height	Wattage	Base Plate	M.R.P.
3500mm	40watt LED	300x300x12mm	35500.00



MFMD - 107

MFMD - 107

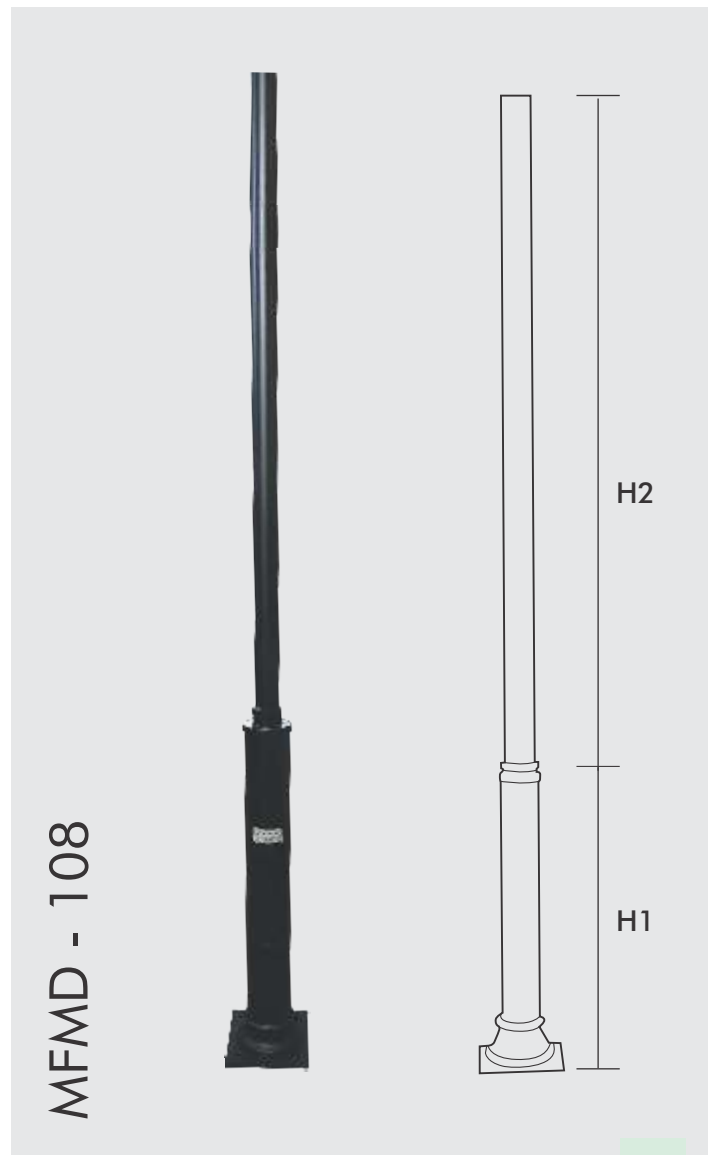
Decorative pole made of galvanised Mild steel pipes duly polyurethane paint coated
(Ref. lighting catalogue no. MF PTL 644)

Height	Dia	Base Plate	M.R.P.
3M	88.9mm	250x250x12mm	12600.00
4m	88.9mm	250x250x12mm	15950.00
3M	114.3mm	250x250x12mm	16400.00
4m	114.3mm	250x250x12mm	21000.00

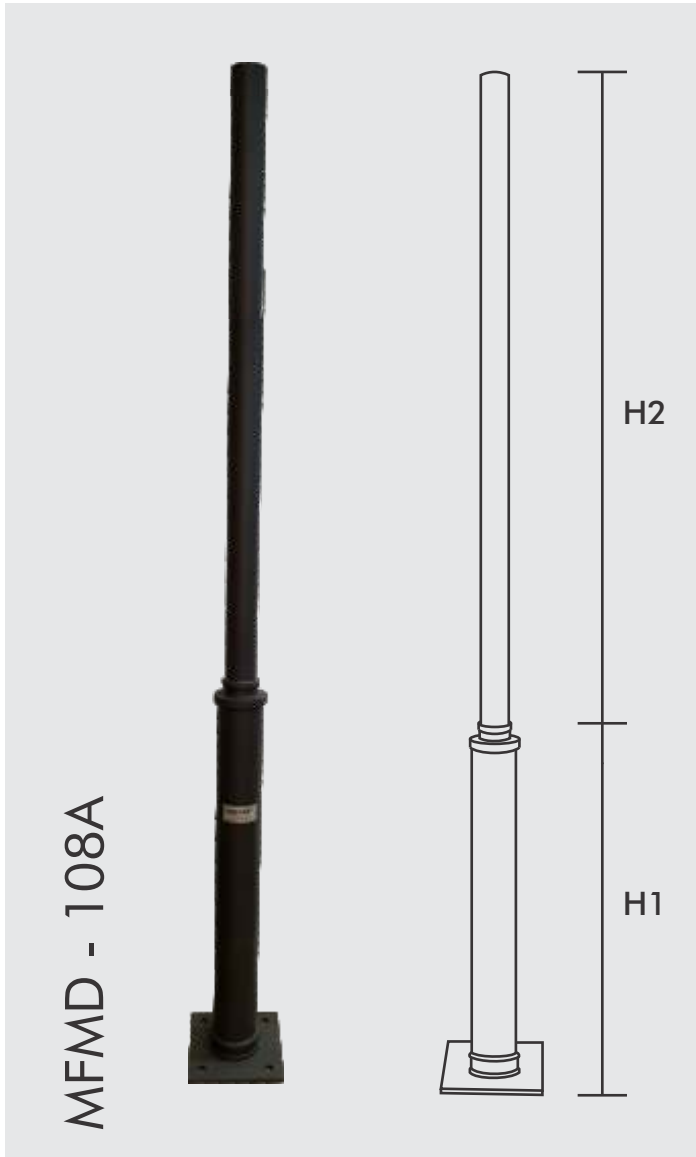
MFMD - 108

Decorative pole made of galvanised Mild steel pipes fitted with cast aluminum embellishments duly polyurethane paint coated.

Height	H ₁	H ₂	B.P.	M.R.P.
3m	114.3(1m)	76.1(2m)	250x250x12	13900.00
4m	114.3(1m)	76.1(3m)	250x250x12	16600.00
5m	139.7(1m)	76.1(4m)	300x300x12	19300.00
6m	139.7(2m)	76.1(4m)	300x300x12	25300.00



MFMD - 108

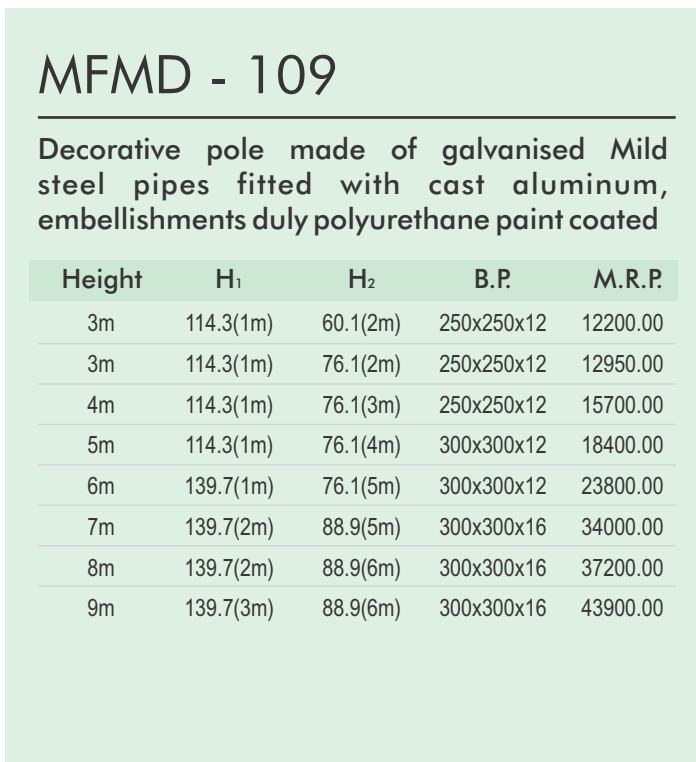


MFMD - 108A

MFMD - 108A

Decorative pole made of galvanised Mild steel pipes fitted with cast aluminum, embellishments duly polyurethane paint coated.

Height	H ₁	H ₂	B.P.	M.R.P.
3m	114.3 (1m)	60.1(2m)	250x250x12	13300.00
3m	114.3(1m)	76.1(2m)	250x250x12	13900.00
4m	114.3(1m)	76.1(3m)	250x250x12	16600.00
5m	139.7(1m)	76.1(4m)	300x300x12	19300.00
6m	139.7(1.5m)	76.1(5m)	300x300x12	25300.00

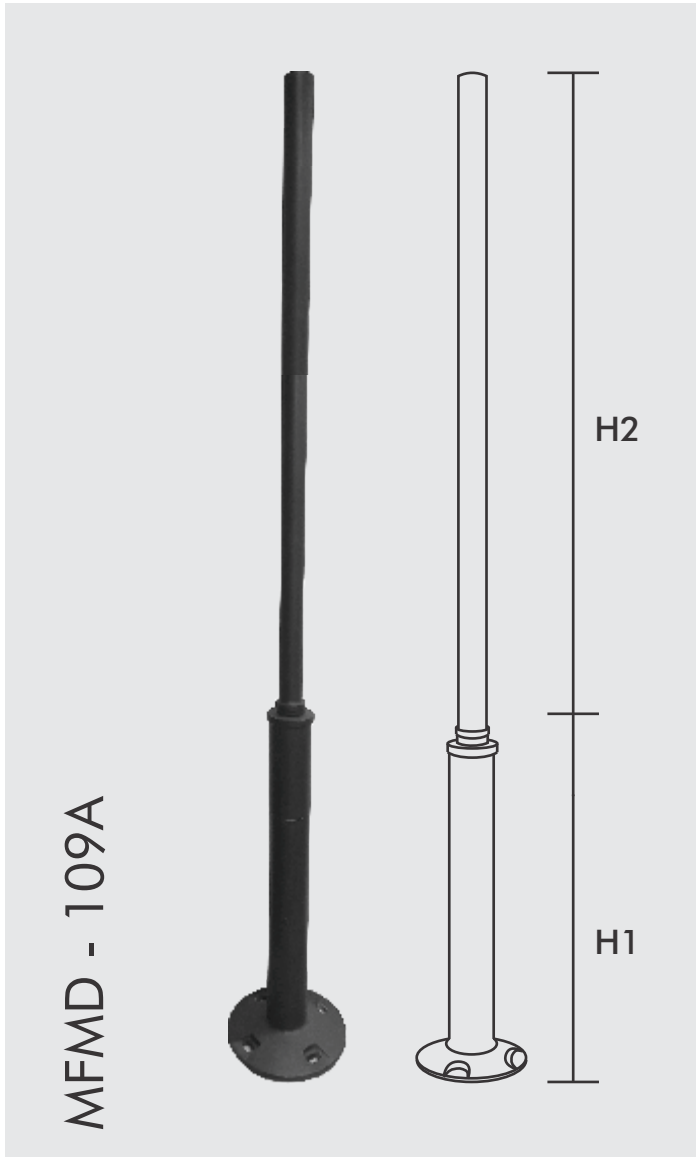


MFMD - 109

Decorative pole made of galvanised Mild steel pipes fitted with cast aluminum, embellishments duly polyurethane paint coated

Height	H ₁	H ₂	B.P.	M.R.P.
3m	114.3(1m)	60.1(2m)	250x250x12	12200.00
3m	114.3(1m)	76.1(2m)	250x250x12	12950.00
4m	114.3(1m)	76.1(3m)	250x250x12	15700.00
5m	114.3(1m)	76.1(4m)	300x300x12	18400.00
6m	139.7(1m)	76.1(5m)	300x300x12	23800.00
7m	139.7(2m)	88.9(5m)	300x300x16	34000.00
8m	139.7(2m)	88.9(6m)	300x300x16	37200.00
9m	139.7(3m)	88.9(6m)	300x300x16	43900.00

MFMD - 109



MFMD - 109A

Decorative Pole Made of Galvanised Mild Steel Pipe With MS Casted Base Plate Fitted With Aluminum Embelishments Duly Polyurethene Paint Coated

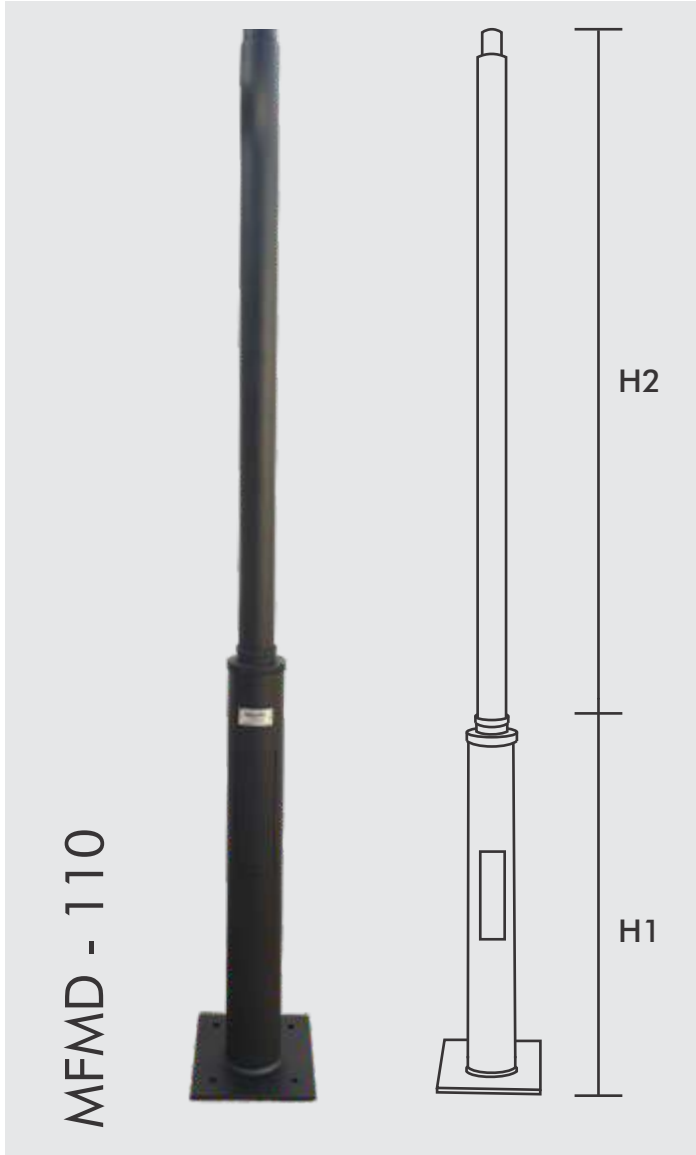
Height	H ₁	H ₂	B.P.	M.R.P.
3m	114.3(1m)	60.1(2m)	340x10mm	15000.00
3m	114.3(1m)	76.1(2m)	340x10mm	15800.00
4m	114.3(1m)	76.1(3m)	340x10mm	18500.00
5m	114.3(1m)	76.1(4m)	340x10mm	21400.00
6m	114.3(1m)	76.1(5m)	340x10mm	26300.00
7M	139.7(2m)	88.9(5m)	340x18mm	36200.00
8M	139.7(2m)	88.9(6m)	340x18mm	39300.00
9M	139.7(3m)	88.9(6m)	340x18mm	45800.00

MFMD - 109B

Decorative Pole made of galvanised Mild steel Ribbed Pipe with MS casted base fitted with Cast Aluminum embelishments duly Polyurethene Paint coated.

Height	H ₁	H ₂	B.P.	M.R.P.
3m	114.3(1m)	60.1(2m)	340x10mm	15000.00
3m	114.3(1m)	76.1(2m)	340x10mm	15800.00
4m	114.3(1m)	76.1(3m)	340x10mm	18500.00
5m	114.3(1m)	76.1(4m)	340x10mm	21400.00
6m	114.3(1m)	76.1(5m)	340x10mm	26300.00
7M	139.7(2m)	88.9(5m)	340x18mm	36200.00
8M	139.7(2m)	88.9(6m)	340x18mm	39300.00
9M	139.7(3m)	88.9(6m)	340x18mm	45800.00





MFMD - 110

MFMD - 110

Decorative pole made of galvanised Mild steel pipes fitted with cast aluminum, embellishments duly polyurethane paint coated.

Height	H ₁	H ₂	B.P.	M.R.P.
3m	114.3(1m)	60.1(2m)	250x250x12	12200.00
3m	114.3(1m)	76.1(2m)	250x250x12	12950.00
4m	114.3(1m)	76.1(3m)	250x250x12	15700.00
5m	114.3(1m)	76.1(4m)	300x300x12	18400.00
6m	139.7(1m)	76.1(5m)	300x300x12	23800.00
7m	139.7(2m)	88.9(5m)	300x300x16	34000.00
8m	139.7(2m)	88.9(6m)	300x300x16	37200.00
9m	139.7(3m)	88.9(6m)	300x300x16	43900.00

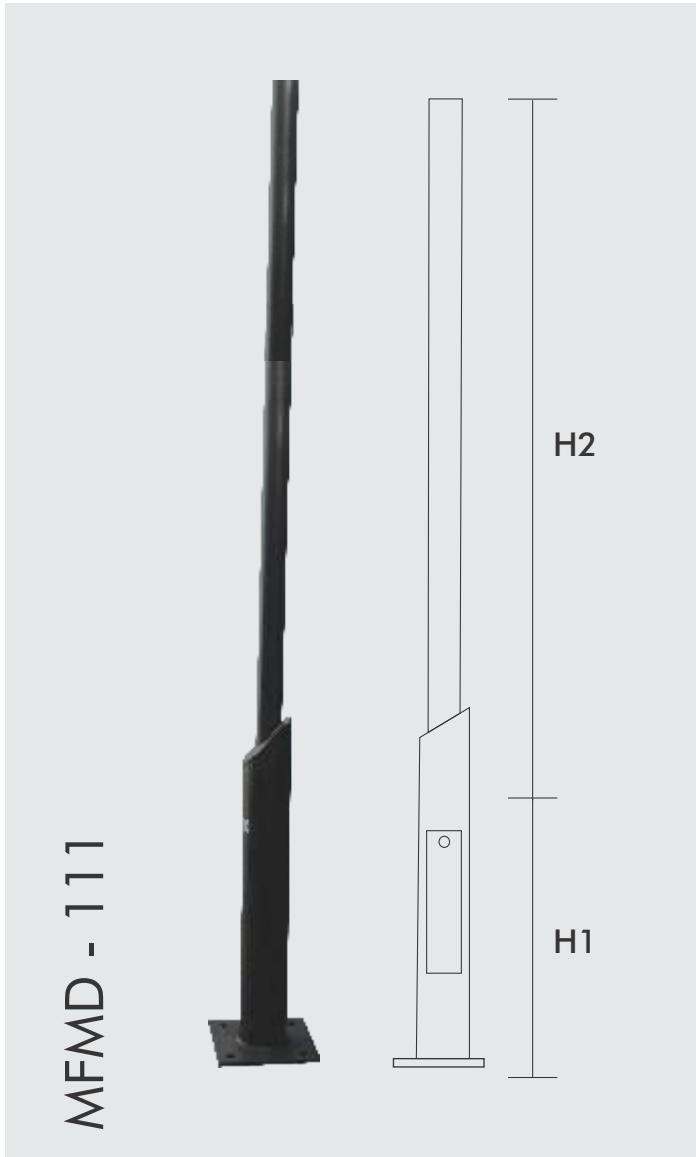
MFMD - 110A

Decorative pole made of galvanised Mild steel ribbed pipes fitted with cast aluminum, embellishments duly polyurethane paint coated.

Height	H ₁	H ₂	B.P.	M.R.P.
3m	114.3(1m)	60.1(2m)	250x250x12	12400.00
3m	114.3(1m)	76.1(2m)	250x250x12	14300.00
4m	114.3(1m)	76.1(3m)	250x250x12	17300.00
5m	114.3(1m)	76.1(4m)	300x300x12	20300.00
6m	139.7(1m)	76.1(5m)	300x300x12	26400.00
7m	139.7(2m)	88.9(5m)	300x300x16	37500.00
8m	139.7(2m)	88.9(6m)	300x300x16	40800.00
9m	139.7(3m)	88.9(6m)	300x300x16	49000.00



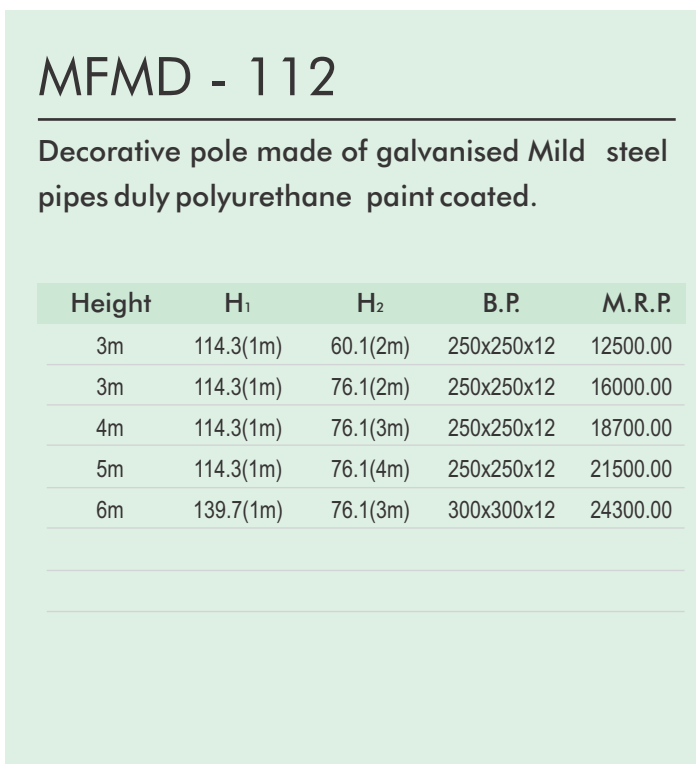
MFMD - 110A



MFMD - 111

Decorative pole made of galvanised Mild steel pipes duly polyurethane paint coated.

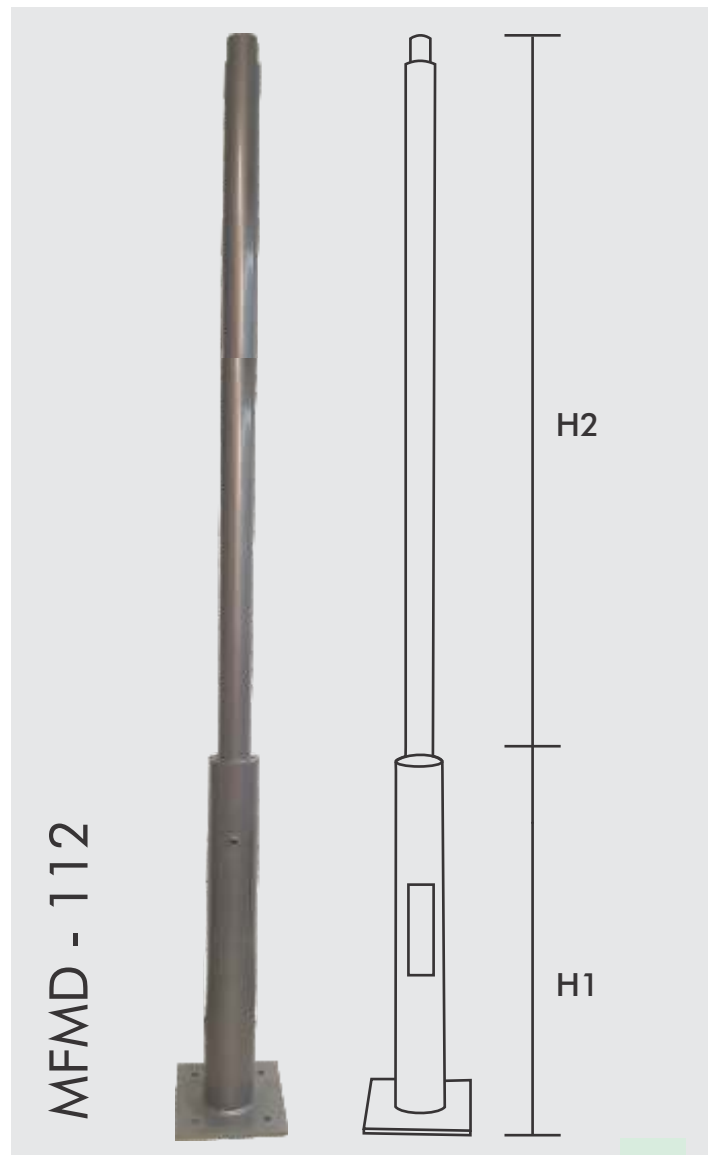
Height	H ₁	H ₂	B.P.	M.R.P.
3m	114.3(1m)	60.1(2m)	250x250x12	13500.00
3m	139.7(1m)	76.1(2m)	300x300x12	17200.00
4m	139.7(1m)	76.1(3m)	300x300x12	19800.00
5m	139.7(1m)	76.1(4m)	300x300x12	22400.00
6m	139.7(1m)	76.1(5m)	300x300x12	25100.00

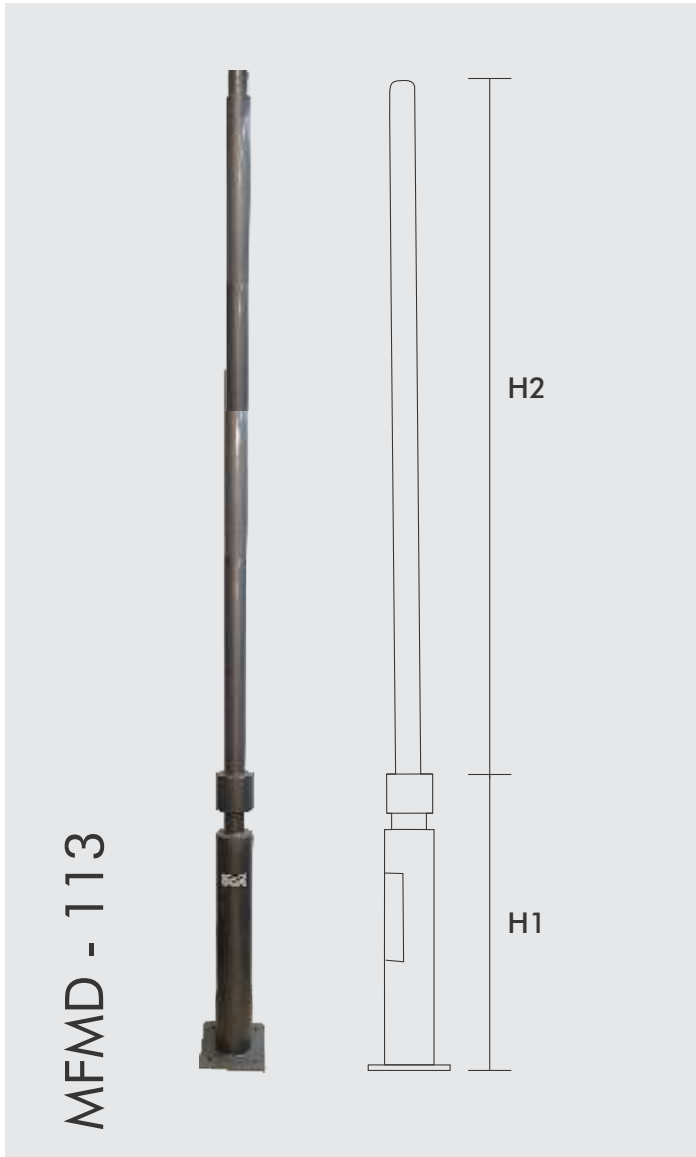


MFMD - 112

Decorative pole made of galvanised Mild steel pipes duly polyurethane paint coated.

Height	H ₁	H ₂	B.P.	M.R.P.
3m	114.3(1m)	60.1(2m)	250x250x12	12500.00
3m	114.3(1m)	76.1(2m)	250x250x12	16000.00
4m	114.3(1m)	76.1(3m)	250x250x12	18700.00
5m	114.3(1m)	76.1(4m)	250x250x12	21500.00
6m	139.7(1m)	76.1(3m)	300x300x12	24300.00





MFMD - 113

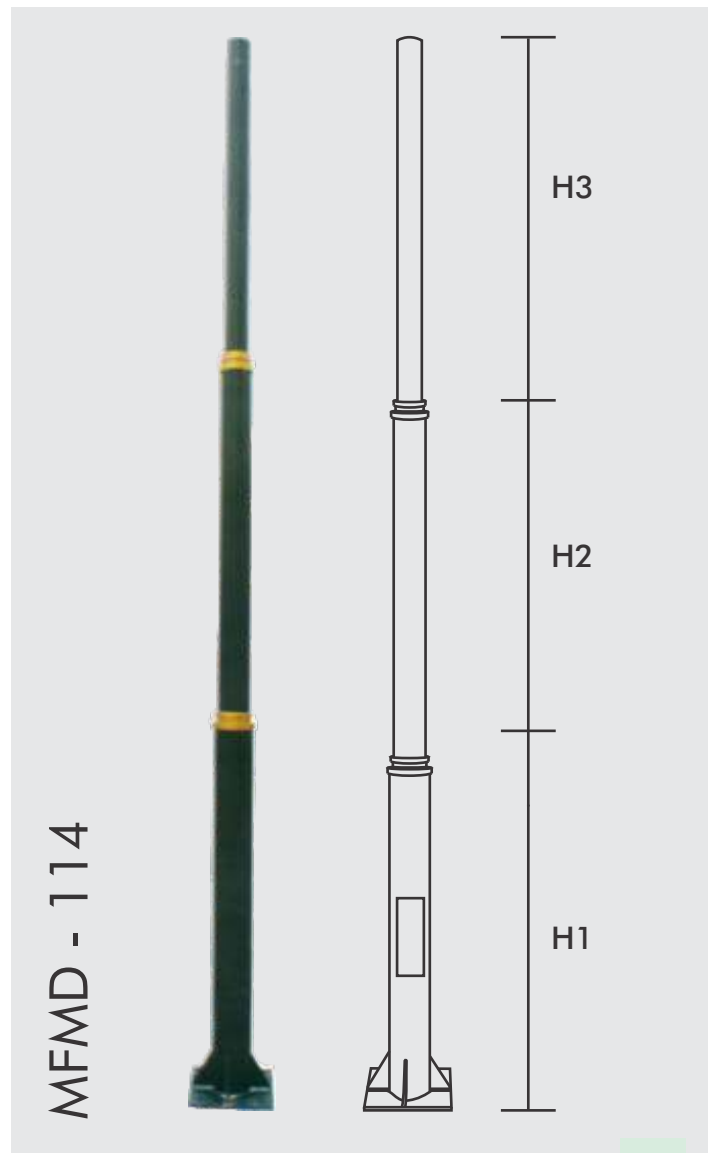
Decorative pole made of galvanised Mild steel pipes duly polyurethane paint coated.

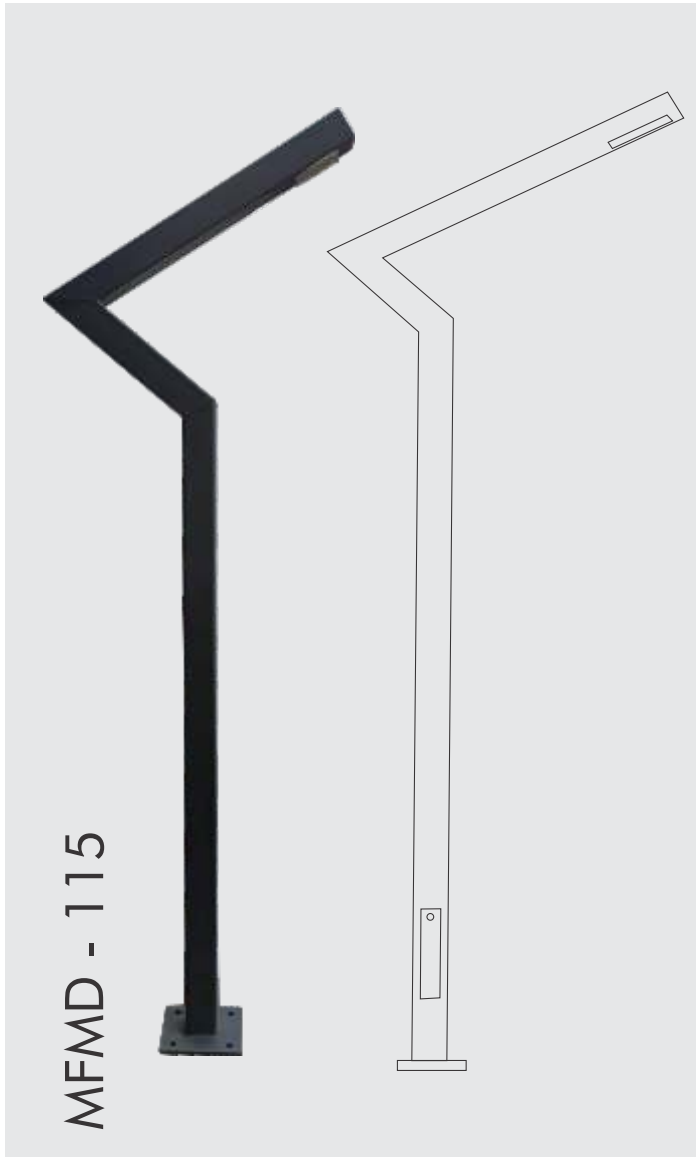
Height	H ₁	H ₂	B.P.	M.R.P.
3m	139.7(1m)	76.1(2m)	300x300x12	18000.00
4m	139.7(1m)	76.1(3m)	300x300x12	21600.00
5m	139.7(1m)	76.1(4m)	300x300x12	24300.00
6m	139.7(1m)	76.1(5m)	300x300x12	27200.00

MFMD - 114

Decorative pole made of galvanised Mild steel pipes in 3 sections with cast aluminium embellishment duly polyurethane paint coated.

Height	Bottom	Middle	Top	Base Plate	M.R.P.
6000	139.7(2m)	114.3(2m)	88.9(2m)	300x300x12mm	34900.00
7000	139.7(2m)	114.3(2m)	88.9(3m)	300x300x16mm	38800.00
8000	139.7(2m)	114.3(3m)	88.9(3m)	300x300x16mm	43600.00
9000	139.7(3m)	114.3(3m)	88.9(3m)	300x300x16mm	50900.00





MFMD - 115

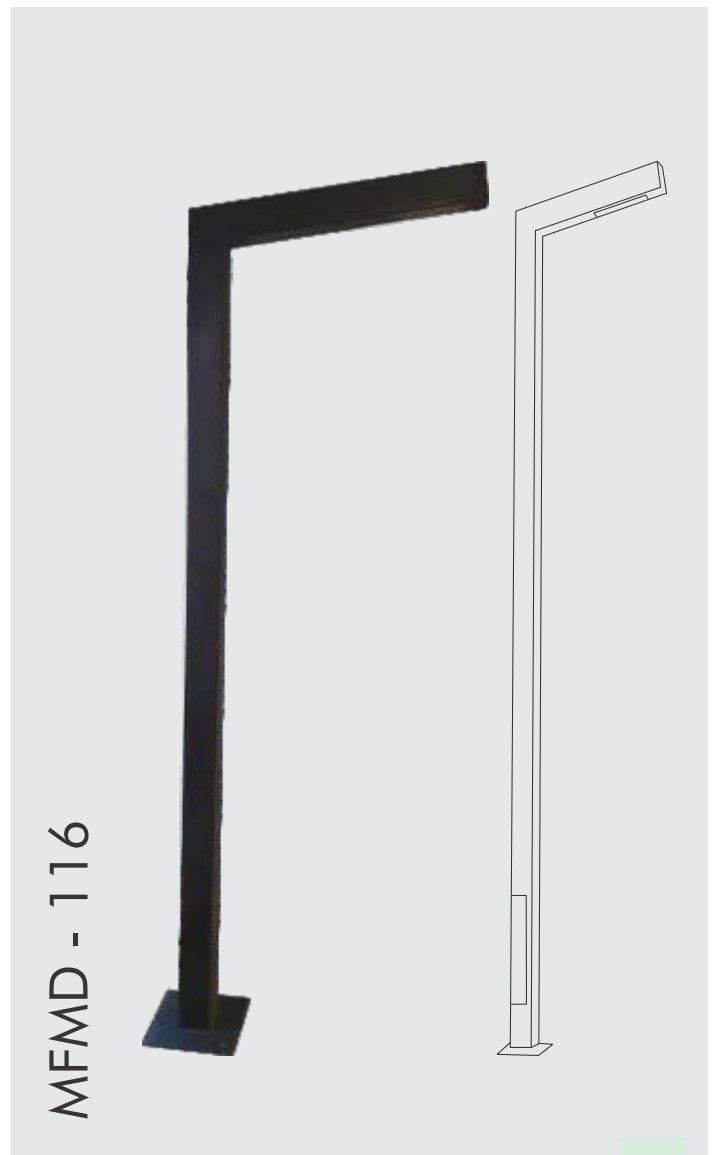
Decorative pole made of square pipe duly polyurethane paint coated supplied along with integrated LED lights.

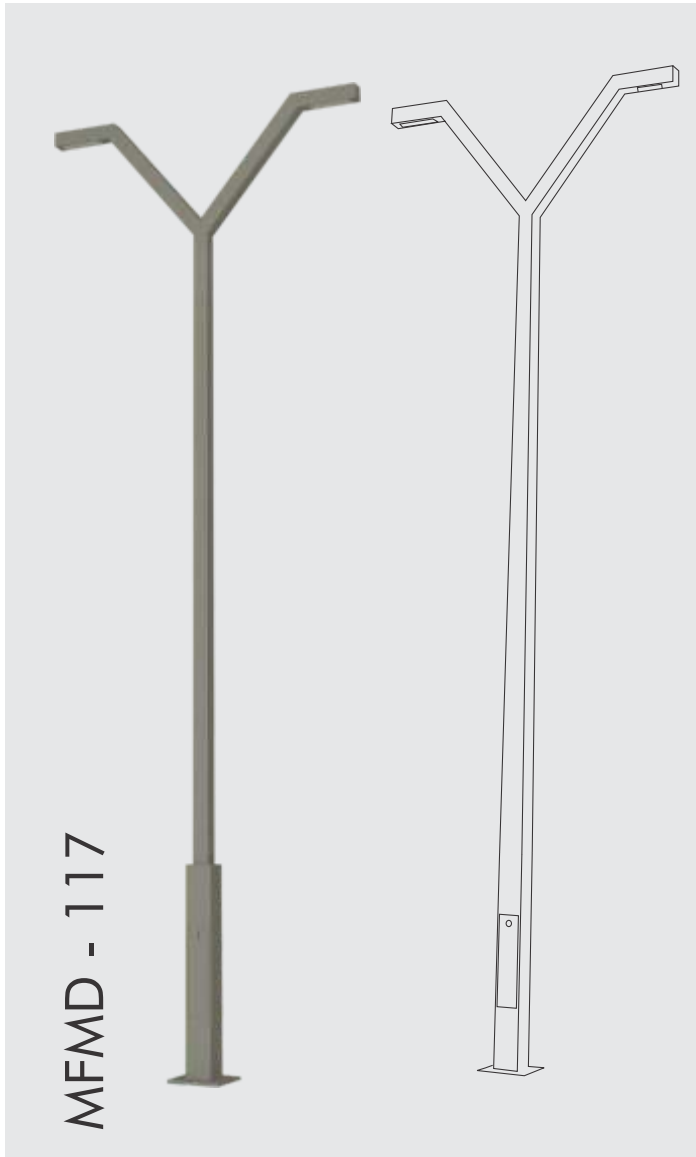
Height	Watt.	Pipe Dia	B.P.	M.R.P.
3m	45w	100x100mm	250x250x12	25800.00
4m	45w	100x100mm	250x250x12	29600.00
5m	45w	100x100mm	250x250x12	33700.00
6m	70w	100x100mm	250x250x12	40500.00
3m	45w	85x145mm	300x300x12	29200.00
4m	45w	85x145mm	300x300x12	33800.00
5m	45w	85x145mm	300x300x12	38500.00
6m	70w	85x145mm	300x300x12	46000.00

MFMD - 116

Decorative pole made of square pipe duly polyurethane paint coated supplied along with integrated LED lights.

Height	Watt.	Pipe Dia	B.P.	M.R.P.
3m	25w	100x100mm	250x250x12	22500.00
4m	45w	100x100mm	250x250x12	26400.00
5m	45w	100x100mm	250x250x12	30500.00
6m	70w	100x100mm	250x250x12	37000.00
3m	25w	85x145mm	300x300x12	25300.00
4m	45w	85x145mm	300x300x12	30500.00
5m	45w	85x145mm	300x300x12	35500.00
6m	70w	85x145mm	300x300x12	42000.00





MFMD - 117

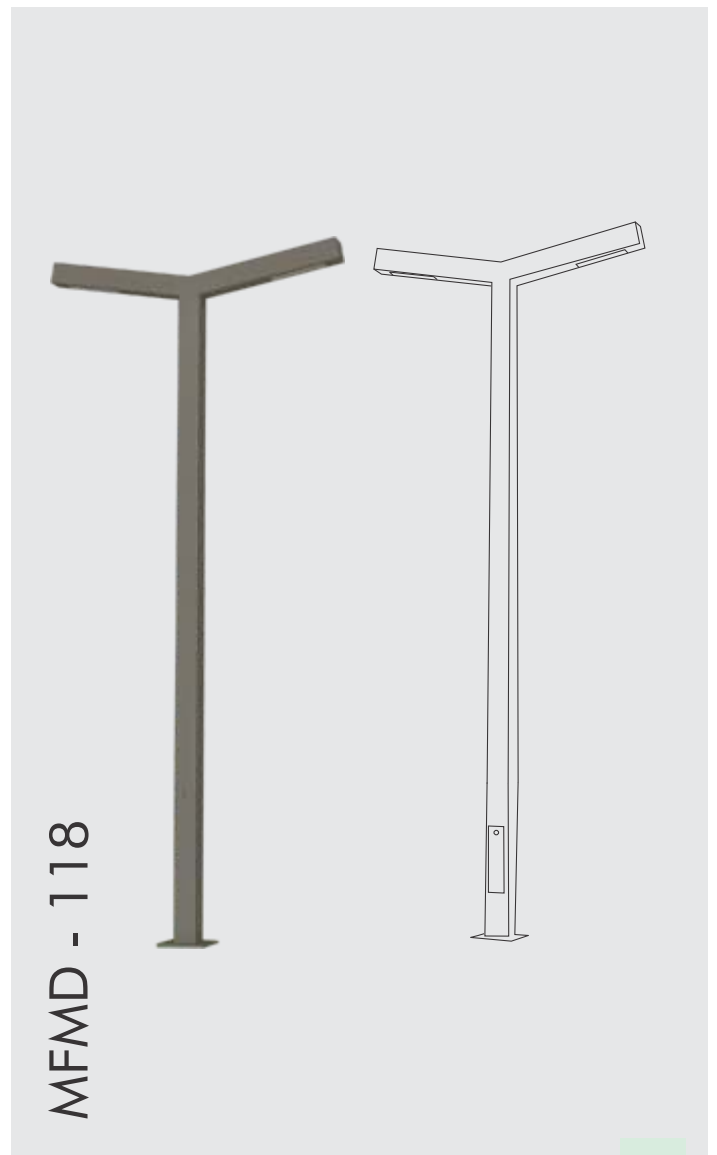
Decorative pole made of square pipe duly polyurethane paint coated supplied along with integrated LED lights.

Height	Watt	Pipe Dia	Base Plate	M.R.P
3m	2x45w	100x100mm	250x250x12mm	34000.00
4m	2x45w	100x100mm	250x250x12mm	38000.00
5m	2x45w	100x100mm	250x250x12mm	42200.00
6m	2x70w	100x100mm	250x250x12mm	51100.00

MFMD - 118

Decorative pole made of square pipe duly polyurethane paint coated supplied along with integrated LED lights.

Height	Watt.	Pipe Dia	B.P.	M.R.P.
3m	2x25w	100x100mm	250x250x12	30500.00
4m	2x45w	100x100mm	250x250x12	34500.00
5m	2x45w	100x100mm	250x250x12	38500.00
6m	2x70w	100x100mm	250x250x12	47500.00





MFMD - 119

MFMD - 119

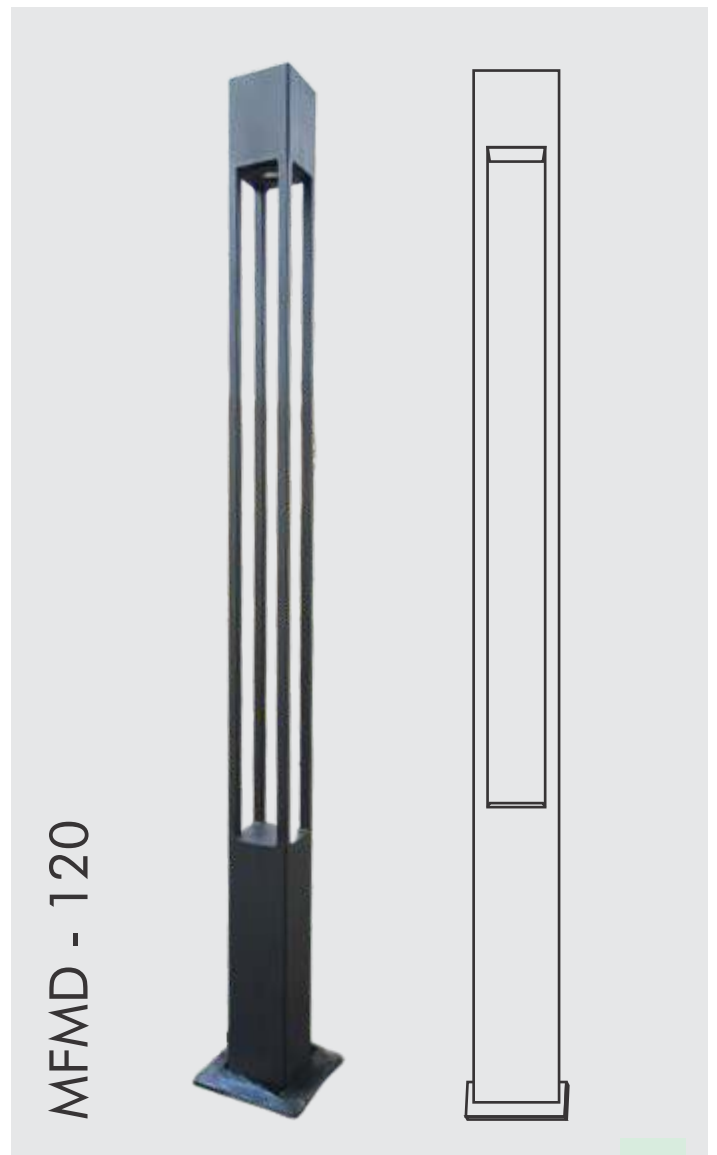
Decorative pole made of square pipe duly polyurethane paint coated suitable for LED light . (Light Prices extra. Refer LED Catalogue no. MF SL LED 302G)

Height	Pipe Dia	Base Plate	M.R.P
3m	100x100mm	250x250x12	14500.00
4m	100x100mm	250x250x12	18500.00
5m	100x100mm	250x250x12	22500.00
6m	100x100mm	250x250x12	26500.00

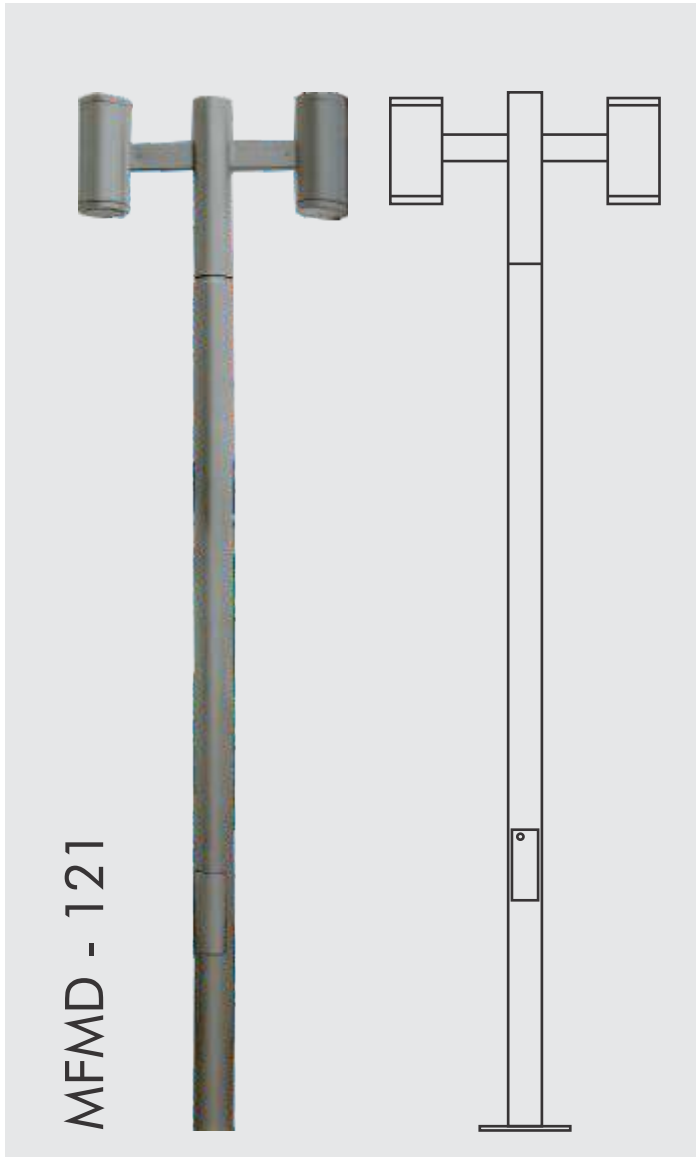
MFMD - 120

Decorative pole made of square pipe duly polyurethane paint coated fitted with 40watt LED module.

Height	Watt	Pipe Dia	Base Plate	M.R.P
3m	40w	150x150mm	300x300x12mm	27100.00
4m	40w	150x150mm	300x300x12mm	33000.00
5m	40w	150x150mm	300x300x12mm	38900.00
6m	40w	150x150mm	300x300x12mm	45000.00
3m	40w	200x200mm	375x375x12mm	30500.00
4m	40w	200x200mm	375x375x12mm	36000.00
5m	40w	200x200mm	375x375x12mm	42000.00
6m	40w	200x200mm	375x375x12mm	48500.00



MFMD - 120



MFMD - 121

MFMD - 121

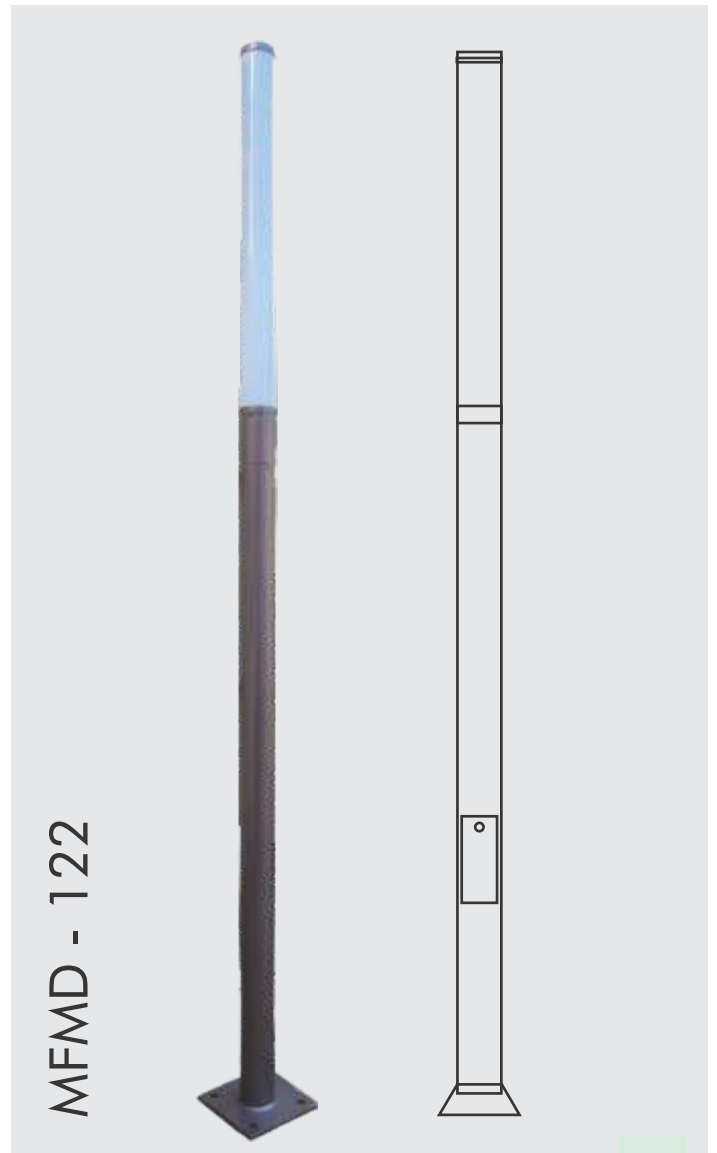
Decorative pole made of Round / Square pipe duly polyurethane paint coated fitted with Downward light OR Up-down light.

Height	Watt	Pipe Dia	Base Plate	M.R.P.
3m	2x25w	88.9mm	250x250x12mm	P.O.R.
4m	2x45w	88.9mm	250x250x12mm	P.O.R.
5m	2x45w	88.9mm	250x250x12mm	P.O.R.

MFMD - 122

Decorative pole made of Round pipe duly polyurethane paint coated fitted with acrylic diffuser and 40w LED module.

Height	Wattage	Base Plate	M.R.P.
3m	40w	300x300x12mm	32800.00
4m	40w	300x300x12mm	39000.00



MFMD - 122



MFMD - 123

MFMD - 123

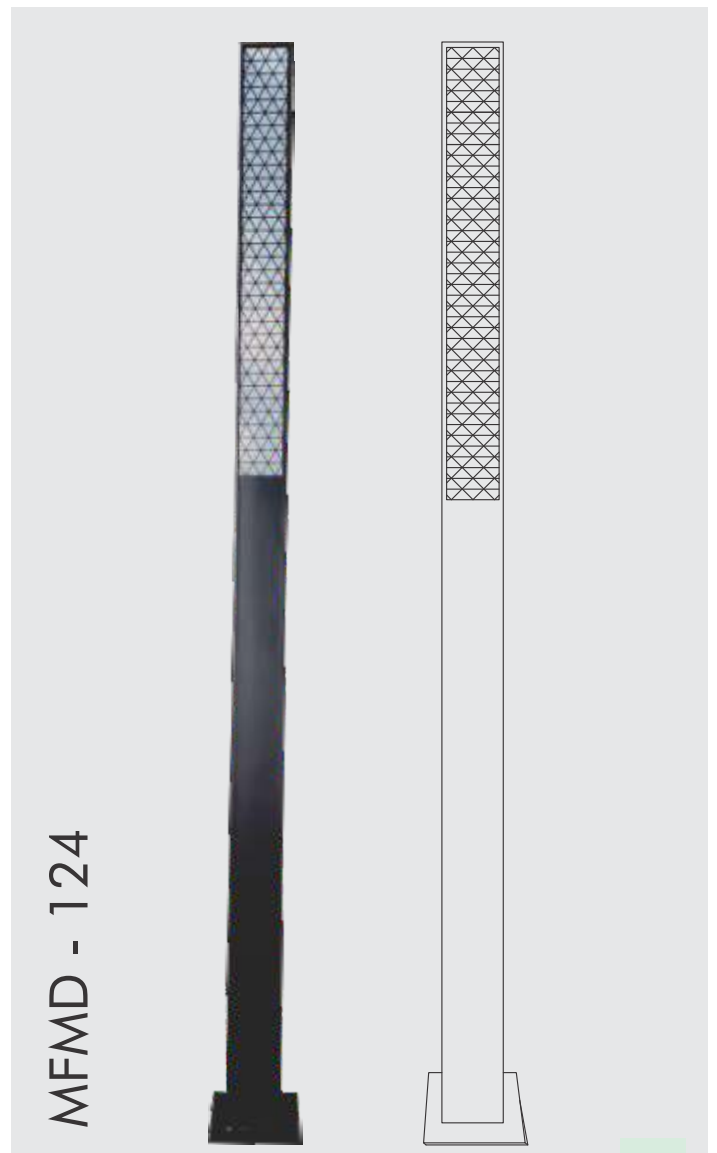
Decorative Pole made of Round Pipe duly Polyurethane paint coated fitted with 40w LED Module

Height	Wattage	Pipe Dia	B.P.	M.R.P.
3m	40w	219.7mm	375x12mm	P.O.R
4m	40w	219.7mm	375x12mm	P.O.R
5m	40w	219.7mm	375x12mm	P.O.R
6m	40w	219.7mm	375x12mm	P.O.R

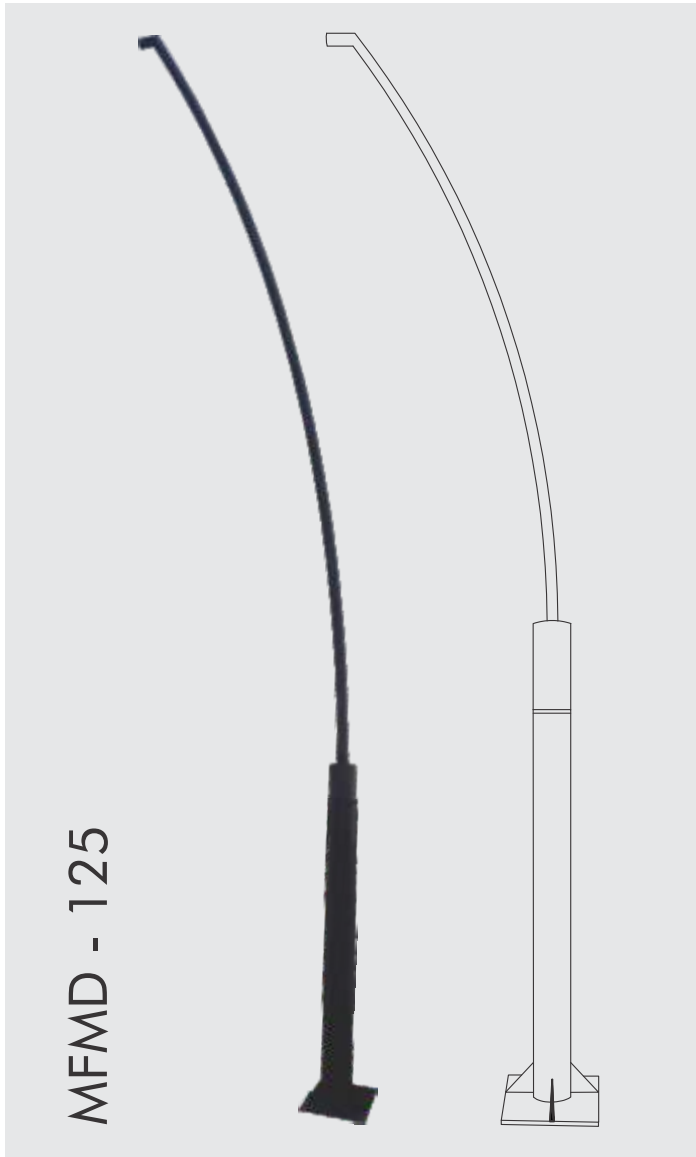
MFMD - 124

Decorative pole made of square pipe duly polyurethane paint coated fitted with 40watt LED module.

Height	Watt	Pipe Dia	Base Plate	M.R.P.
3m	40w	150x150mm	300x300x12mm	P.O.R
4m	40w	150x150mm	300x300x12mm	P.O.R



MFMD - 124

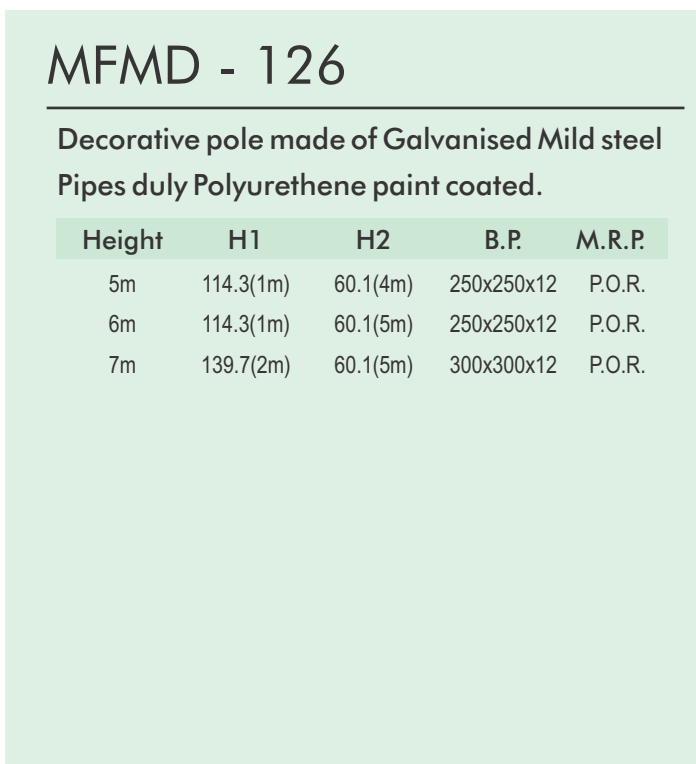


MFMD - 125

MFMD - 125

Decorative pole made of Galvanised Mild steel
Pipes duly Polyurethane paint coated.

Height	H1	H2	B.P.	M.R.P.
5m	114.3(1m)	60.1(4m)	250x250x12	P.O.R.
6m	114.3(1m)	60.1(5m)	250x250x12	P.O.R.
7m	139.7(2m)	60.1(5m)	300x300x12	P.O.R.

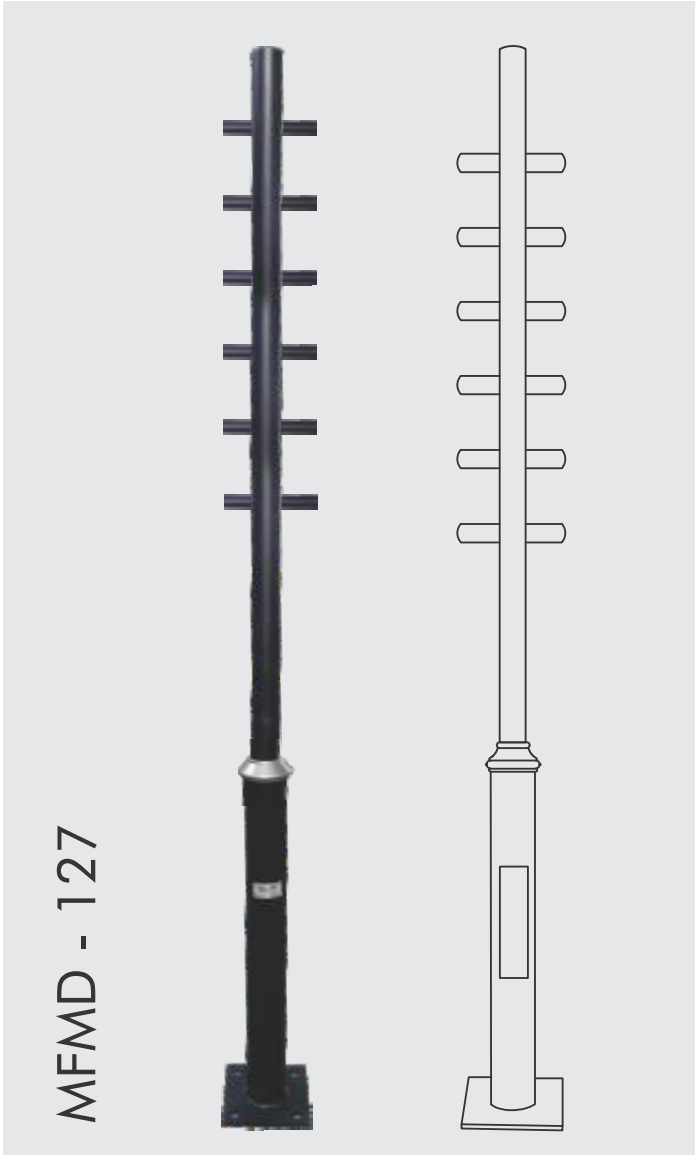


MFMD - 126

MFMD - 126

Decorative pole made of Galvanised Mild steel
Pipes duly Polyurethane paint coated.

Height	H1	H2	B.P.	M.R.P.
5m	114.3(1m)	60.1(4m)	250x250x12	P.O.R.
6m	114.3(1m)	60.1(5m)	250x250x12	P.O.R.
7m	139.7(2m)	60.1(5m)	300x300x12	P.O.R.



MFMD - 127

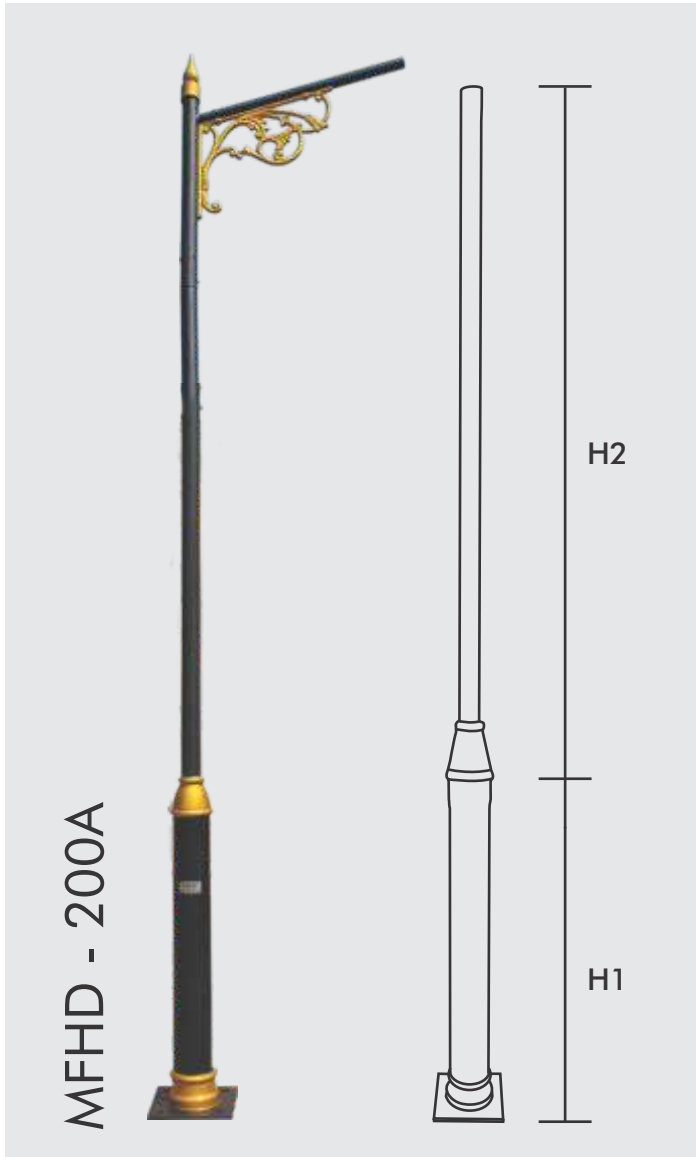
Decorative pole made of Galvanised Mild steel
Pipes duly Polyurethane paint coated with stairs.

Height	H1	H2	B.P.	M.R.P.
6m	139.7(1m)	76.1(5m)	300x300x12	P.O.R.
7m	139.7(2m)	88.9(5m)	300x300x16	P.O.R.
8m	139.7(2m)	88.9(6m)	300x300x16	P.O.R.
9m	139.7(3m)	88.9(6m)	300x300x16	P.O.R.

HERITAGE DESIGN POSTS



Project – BPTP Faridabad



MFHD - 200 A

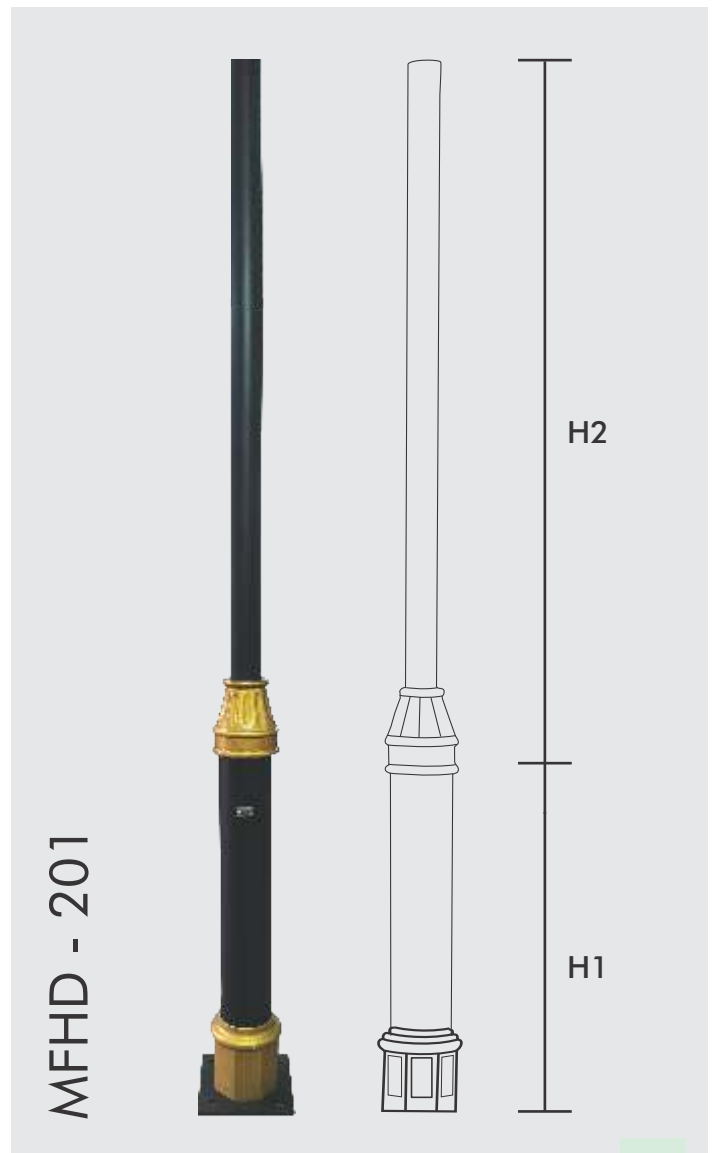
Decorative pole made of Galvanized steel pipes fitted with cast iron embellishment polyurethane paint coated. (Prices are without Brackets)

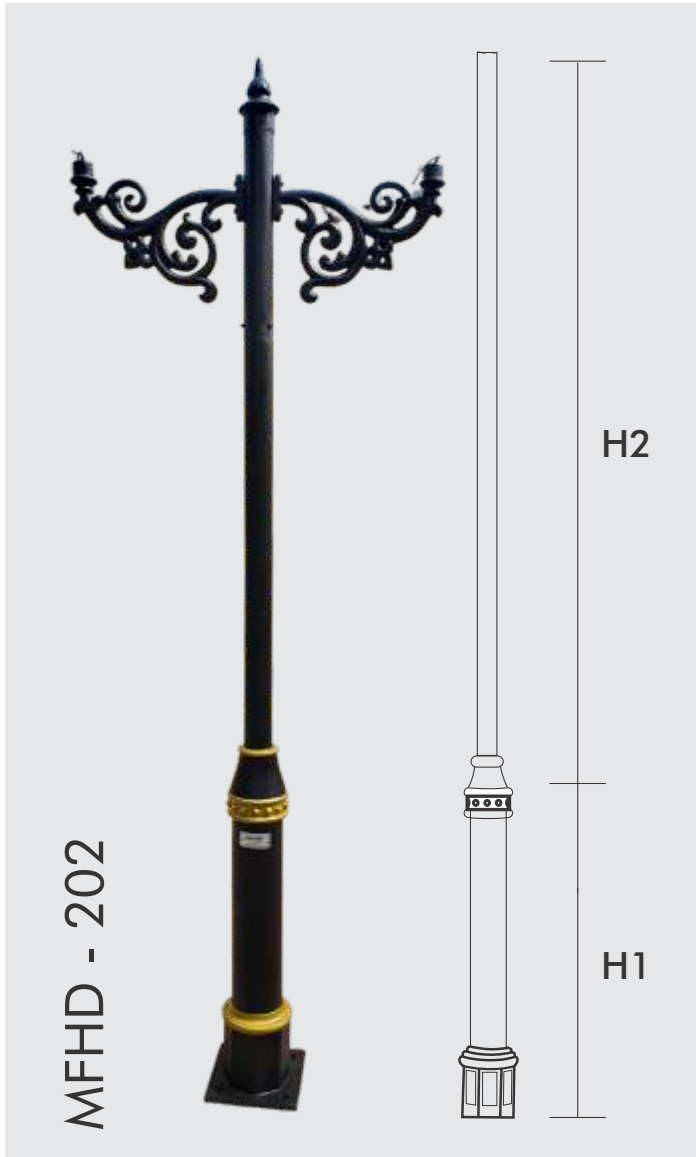
Height	H ₁	H ₂	B.P.	M.R.P.
3m	114.3(1m)	76.1(2m)	250x250x12	19000.00
4m	139(7m)	76.1(3m)	250x250x12	21600.00
5m	139(7m)	76.1(4m)	300x300x12	24500.00
6m	139.7(1m)	76.1(4m)	300x300x12	27500.00

MFHD - 201

Decorative pole made of galvanised Mild steel pipes fitted with cast aluminum/iron embellishments duly polyurethane paint coated.

Height	H ₁	H ₂	B.P.	M.R.P.
3m	139.7(1m)	76.1(2m)	300x300x12	21500.00
4m	139.7(1m)	76.1(3m)	300x300x12	23900.00
5m	139.7(1m)	76.1(4m)	300x300x12	26600.00
6m	139.7(1m)	76.1(5m)	300x300x12	29100.00
7m	139.7(2m)	76.1(5m)	300x300x12	38600.00





MFHD - 202

MFHD - 202

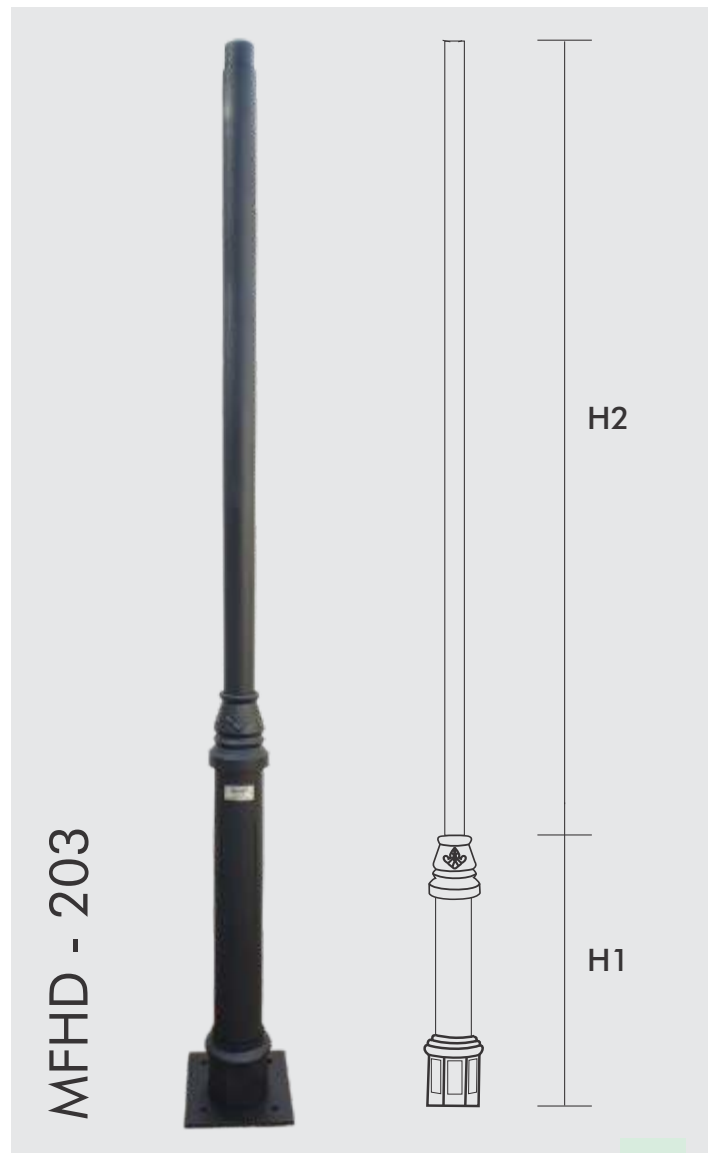
Decorative pole made of galvanised Mild steel pipes fitted with cast aluminum/iron embellishments duly polyurethane paint coated. (Prices are without Brackets)

Height	H ₁	H ₂	B.P.	M.R.P.
3m	139.7(1m)	76.1(2m)	300x300x12	23900.00
4m	139.7(1m)	76.1(3m)	250x250x12	26600.00
5m	139.7(1m)	76.1(4m)	300x300x12	29100.00
6m	139.7(2m)	76.1(4m)	300x300x12	35700.00
7m	139.7(2m)	88.9(5m)	300x300x16	38600.00
8m	139.7(2m)	88.9(6m)	300x300x16	41800.00
7m	193.7(2m)	114.3(5m)	400x400x20	64800.00
8m	193.7(2m)	114.3(6m)	400x400x20	68500.00

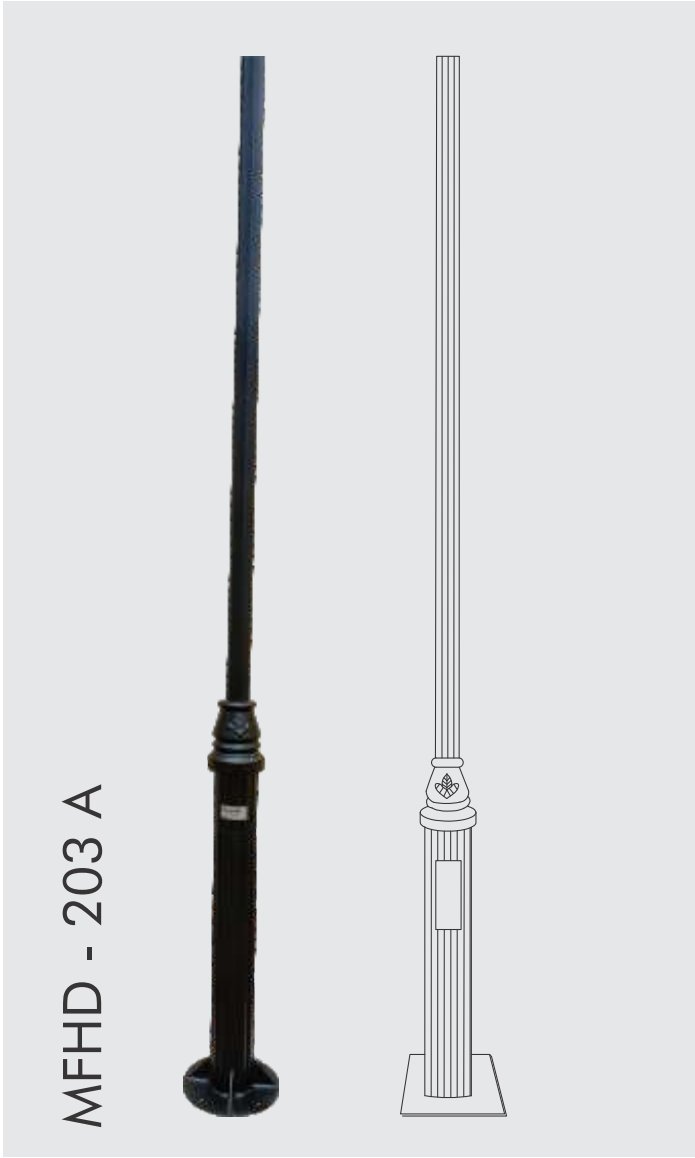
MFHD - 203

Decorative pole made of galvanised Mild steel pipes fitted with cast aluminum/iron embellishments duly polyurethane paint coated.

Height	H ₁	H ₂	B.P.	M.R.P.
3m	114.3(1m)	76.1(2m)	250x250x12	21500.00
3m	139.7(1m)	76.1(2m)	300x300x12	24700.00
4m	139.7(1m)	76.1(3m)	300x300x12	27300.00
5m	139.7(1m)	76.1(4m)	300x300x12	29900.00
6m	139.7(1m)	76.1(5m)	300x300x12	36000.00
7m	139.7(2m)	88.9(5m)	300x300x16	41200.00
8m	139.7(2m)	88.9(6m)	300x300x16	44400.00



MFHD - 203

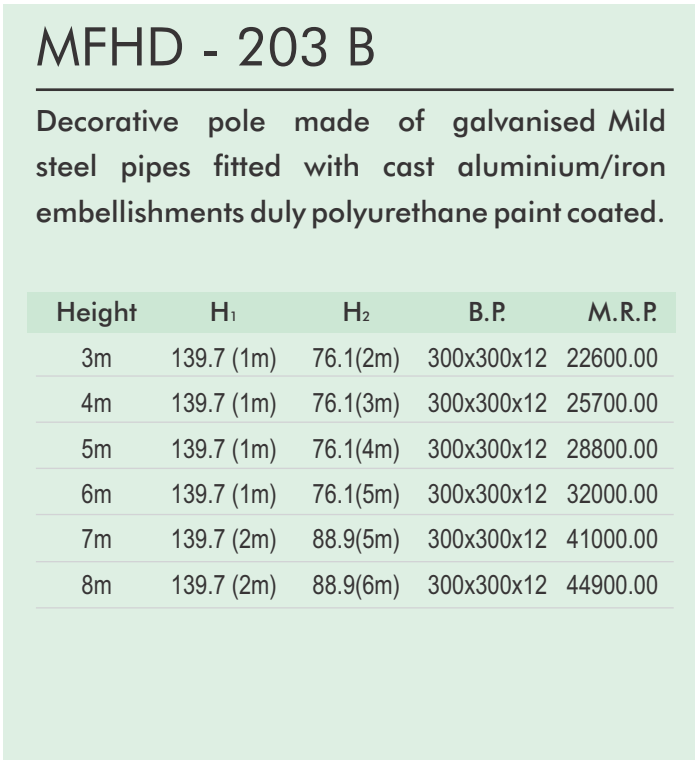


MFHD - 203 A

MFHD - 203 (A)

Decorative pole made of galvanised Mild steel pipes ribbed fitted with cast aluminium/iron embellishments duly polyurethane paint coated.

Height	H ₁	H ₂	B.P.	M.R.P.
3m	139.7 (1m)	76.1(2m)	300x300x12	24500.00
4m	139.7 (1m)	76.1(3m)	300x300x12	27300.00
5m	139.7 (1m)	76.1(4m)	300x300x12	30400.00
6m	139.7 (1m)	76.1(5m)	300x300x12	37800.00
7m	139.7 (2m)	88.9(5m)	300x300x12	43200.00
8m	139.7 (2m)	88.9(6m)	300x300x12	46800.00



MFHD - 203 B

MFHD - 203 B

Decorative pole made of galvanised Mild steel pipes fitted with cast aluminium/iron embellishments duly polyurethane paint coated.

Height	H ₁	H ₂	B.P.	M.R.P.
3m	139.7 (1m)	76.1(2m)	300x300x12	22600.00
4m	139.7 (1m)	76.1(3m)	300x300x12	25700.00
5m	139.7 (1m)	76.1(4m)	300x300x12	28800.00
6m	139.7 (1m)	76.1(5m)	300x300x12	32000.00
7m	139.7 (2m)	88.9(5m)	300x300x12	41000.00
8m	139.7 (2m)	88.9(6m)	300x300x12	44900.00



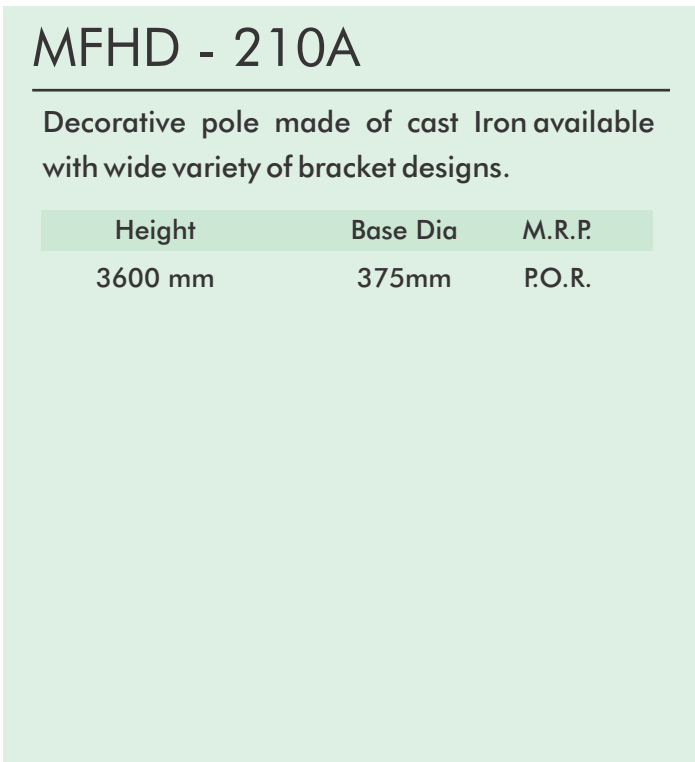
MFHD - 210

MFHD - 210

Decorative pole made of cast Iron available with wide variety of bracket designs.

(Prices are w/o lighting fixtures & brackets).

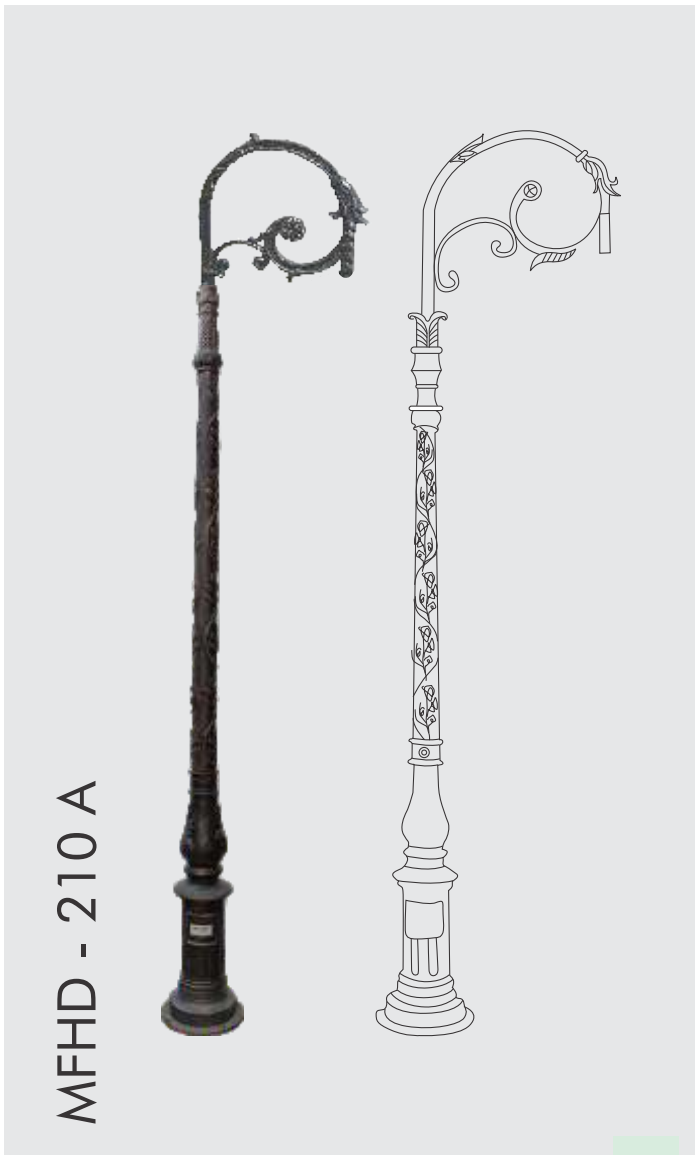
Height	Base Dia	M.R.P.
3000 mm	375mm	72500.00



MFHD - 210A

Decorative pole made of cast Iron available with wide variety of bracket designs.

Height	Base Dia	M.R.P.
3600 mm	375mm	P.O.R.



MFHD - 210 A



MFHD - 210 B

MFHD - 210 B

Decorative pole made of cast Iron available with wide variety of bracket designs.

Height	Base Dia	M.R.P
3000 mm	400mm	57500.00

MFHD - 210 C

Decorative pole made of cast Iron available with combination of MS/GI pipe available with wide variety of bracket designs. (Prices are without Brackets)

Height	Base Dia	Pipe Dia	M.R.P
3m	400mm	76mm	32500.00
4m	400mm	76mm	36500.00
5m	400mm	76mm	39500.00



MFHD - 210 C



MFHD - 210 D

MFHD - 210 D

Decorative pole made of cast Iron available with variety of bracket designs.

Height	Base Dia	M.R.P
4000 mm	400mm	84000.00

MFHD - 211

Decorative pole made of cast Iron available with combination of MS/GI pipe available with wide variety of bracket designs. (Prices are without lights)

Height	Base Dia	Pipe Dia	M.R.P
3000 mm	290mm	76.1mm, 60.1mm	33900.00
4000 mm	290mm	76.1mm, 60.1mm	37300.00
5000 mm	290mm	76.1mm, 60.1mm	39300.00



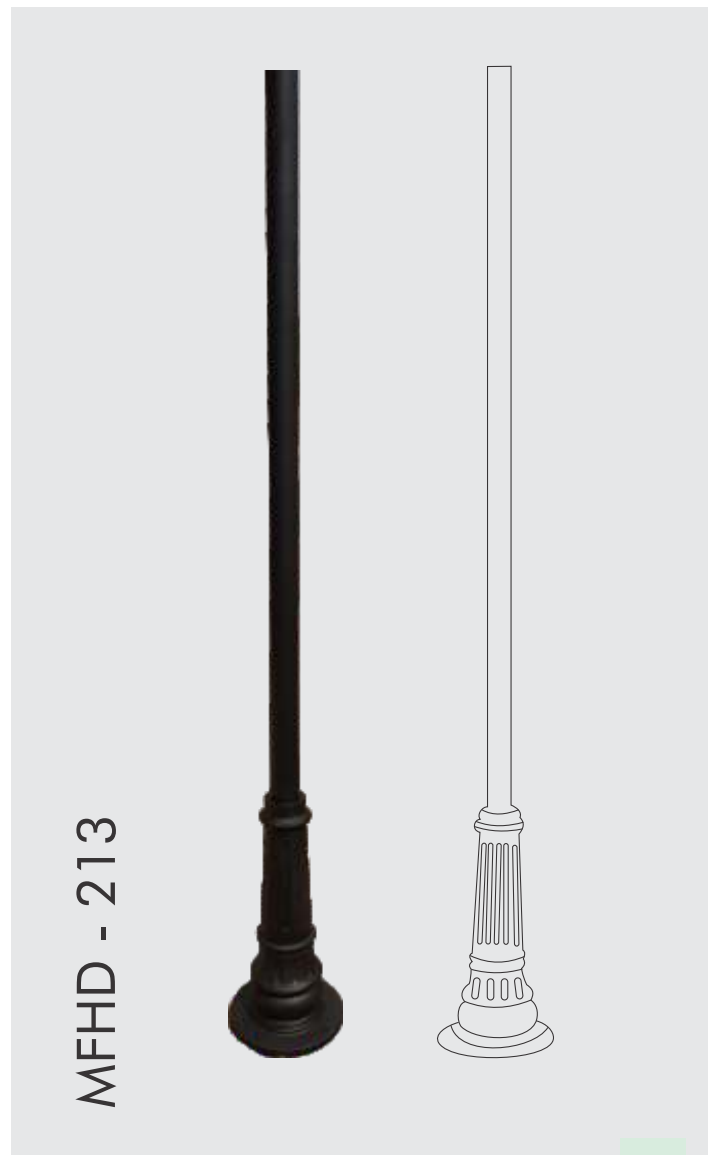
MFHD - 211



MFHD - 212

Decorative pole made of cast Iron available with combination of MS/GI pipe available with wide variety of bracket designs. (Prices are without lights but with bracket)

Height	Base Dia	Pipe Dia	M.R.P.
3000 mm	290mm	76.1mm	34500.00
4000 mm	290mm	76.1mm	37800.00
5000 mm	290mm	76.1mm	39900.00



MFHD - 213

Decorative pole made of cast Iron available with combination of MS/GI pipe available with wide variety of bracket designs.

Height	Base Dia	Pipe Dia	M.R.P.
3000 mm	290mm	76.1mm	23800.00
4000 mm	290mm	76.1mm	25900.00
5000 mm	290mm	76.1mm	28500.00

MFHD - 214



MFHD - 214

Decorative pole made of cast Iron base available with combination of Ribbed MS/GI pipe available with wide variety of bracket designs.

Height	Base Dia	Pipe Dia	M.R.P.
3000 mm	290mm	76.1mm	25500.00
4000 mm	290mm	76.1mm	28800.00
5000 mm	290mm	76.1mm	32550.00

MFHD - 215

Decorative pole made of cast Iron available with wide variety of bracket designs.

Height	Base Dia	M.R.P.
3000 mm	290mm	45500.00
4000 mm	290 mm	54800.00

MFHD - 215



MFHD - 216



MFHD - 216

Decorative pole made of cast Iron available with MS/GI pipe available with wide variety of bracket designs.

Height	Base Dia	Pipe Dia	M.R.P.
3000 mm	380mm	88.9mm	37500.00
4000 mm	380mm	88.9mm	40400.00
5000 mm	380mm	88.9mm	43500.00
6000 mm	380mm	88.9mm	46700.00
7000 mm	380mm	88.9mm	49900.00

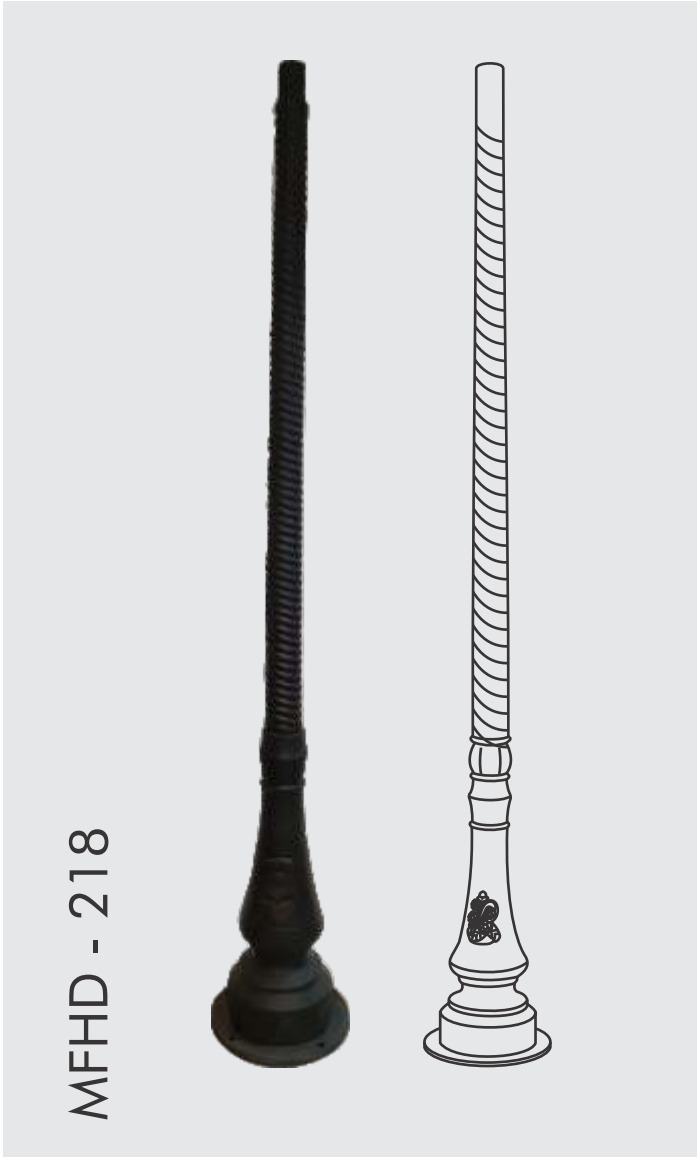
MFHD - 217

Decorative pole made of cast Iron available with wide variety of bracket designs.

Height	Base Dia	M.R.P.
3000 mm	380mm	54000.00
4000 mm	380mm	66000.00

MFHD - 217



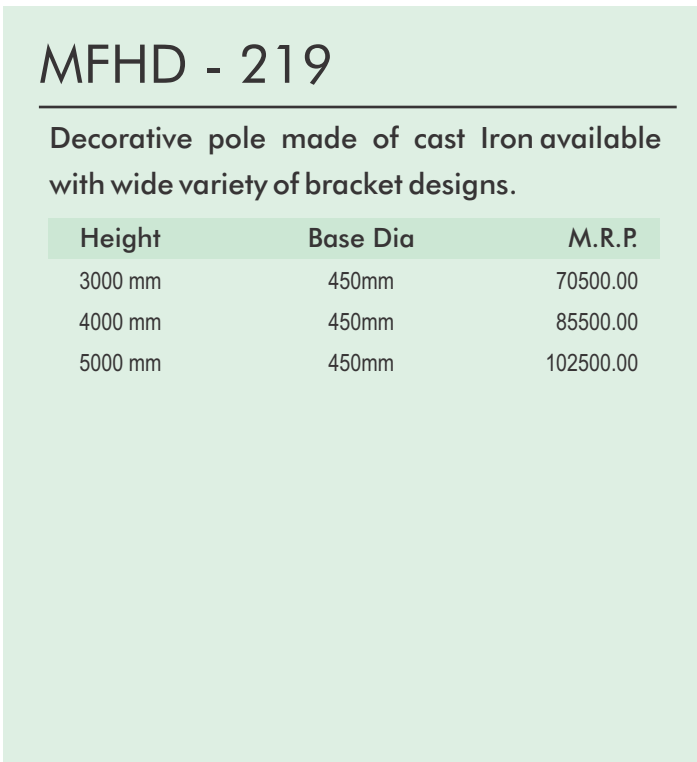


MFHD - 218

MFHD - 218

Decorative pole made of cast Iron base available with wide variety of bracket designs.

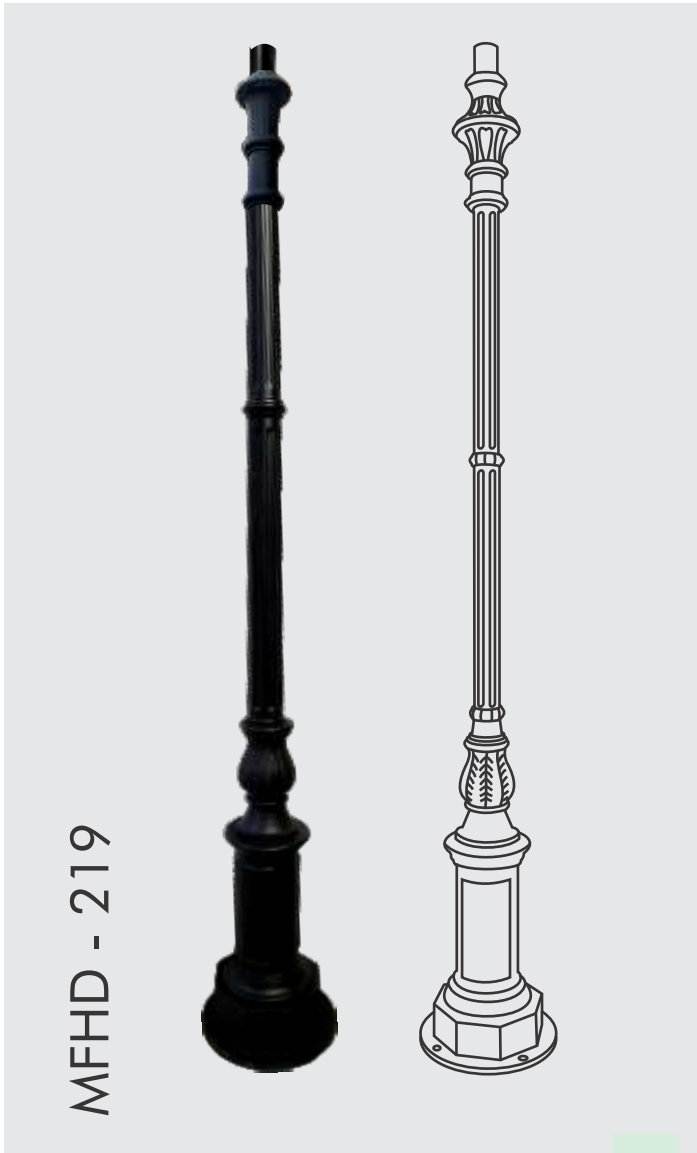
Height	Pipe Dia	M.R.P.
3000 mm	380mm	53500.00



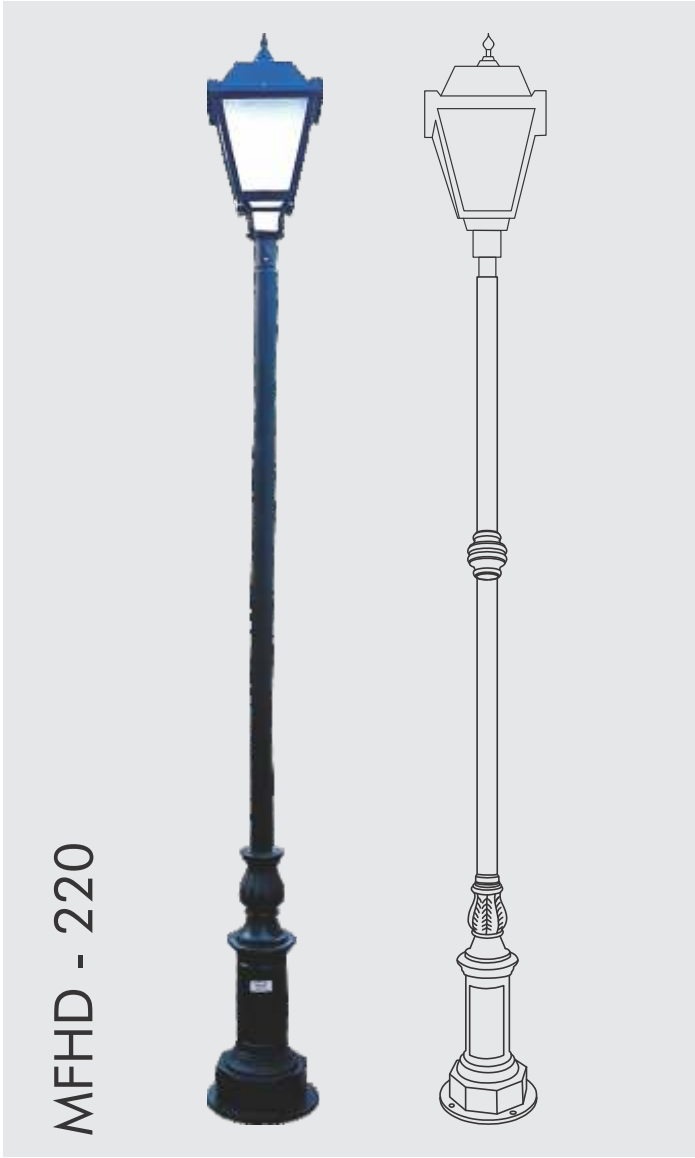
MFHD - 219

Decorative pole made of cast Iron available with wide variety of bracket designs.

Height	Base Dia	M.R.P.
3000 mm	450mm	70500.00
4000 mm	450mm	85500.00
5000 mm	450mm	102500.00



MFHD - 219



MFHD - 220

MFMD - 220

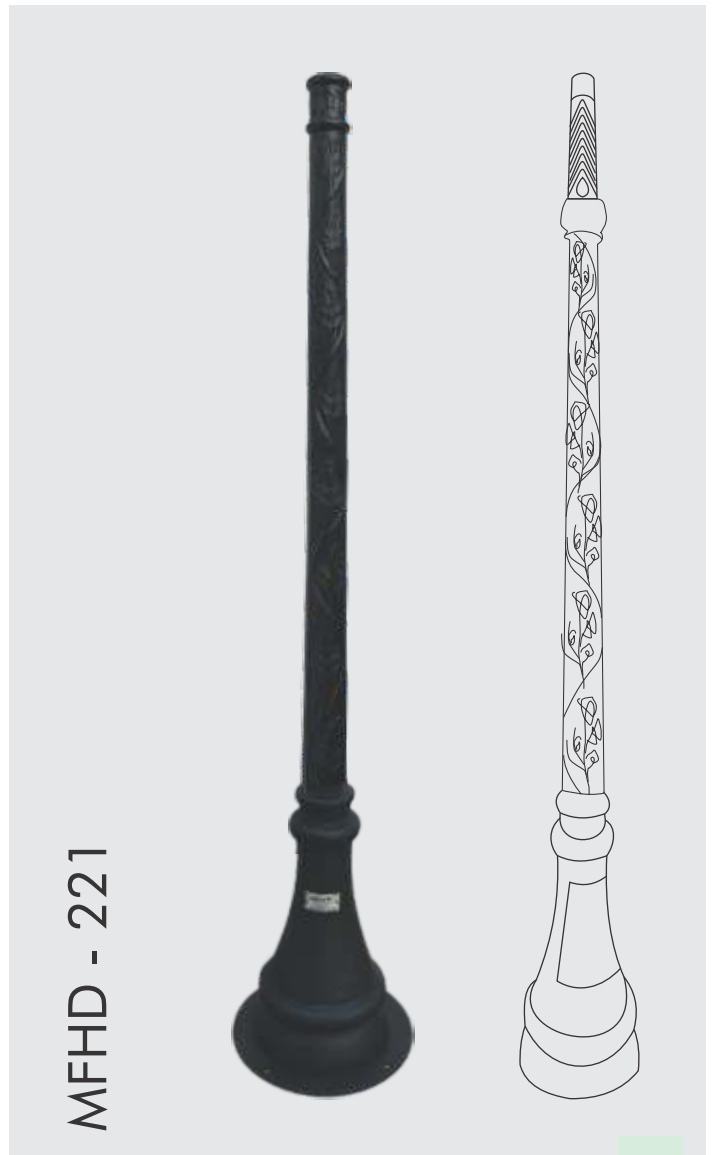
Decorative pole made of cast Iron base available with combination of Ribbed MS/GI pipe available with wide variety of bracket designs. (Prices are without lights)

Height	Base Dia	Pipe Dia	M.R.P.
3000 mm	450mm	88.9mm	54500.00
4000 mm	450mm	88.9mm	56500.00
5000 mm	450mm	88.9mm	59000.00
6000 mm	450mm	88.9mm	62000.00
7000 mm	450mm	88.9mm	65000.00

MFHD - 221

Decorative pole made of cast Iron available with wide variety of bracket designs.

Height	Base Dia	M.R.P.
3000 mm	400mm	46500.00



MFHD - 221



MFHD - 222

MFHD - 222

Decorative pole made of cast Iron base available with MS/GI pipe available with wide variety of bracket designs. (Prices are without lighting fixtures & brackets).

Height	Base Dia	Pipe Dia	M.R.P.
3000 mm	450mm	88.9mm	32500.00
4000 mm	450mm	88.9mm	34500.00
5000 mm	450mm	88.9mm	36500.00
6000 mm	450mm	88.9mm	39000.00
7000 mm	450mm	88.9mm	42000.00

MFHD - 223

Decorative pole made of cast aluminum available with wide variety of bracket designs.

Height	Base Dia	M.R.P.
3000 mm	300x300mm	60500.00



MFHD - 223



MFHD - 224

MFHD - 224

Decorative pole made of cast aluminum base available with MS/GI pipe available with wide variety of bracket designs.

3000 mm	350x350mm	88.9mm	48500.00
4000 mm	350x350mm	88.9mm	51000.00
5000 mm	350x350mm	88.9mm	54000.00
6000 mm	350x350mm	88.9mm	57500.00

MFHD - 225

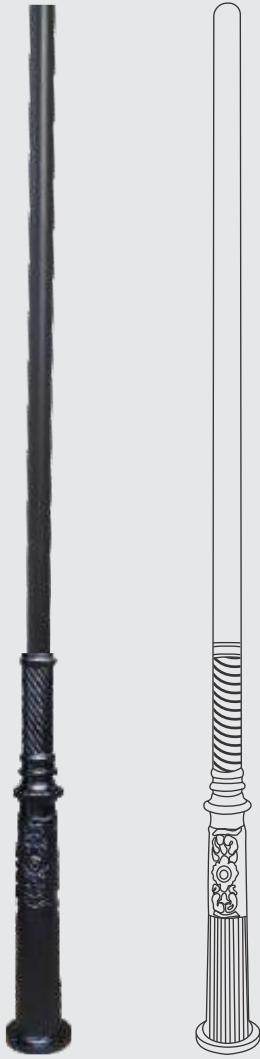
Decorative pole made of cast Iron available with wide variety of bracket designs.

Height	Base Dia	M.R.P.
3000 mm	300mm	P.O.R.
4000 mm	300mm	P.O.R.



MFHD - 225

MFHD - 226



MFHD - 226

Decorative pole made of cast Iron base fitted with GI pipe available with wide variety of bracket designs.

Height	Base Dia	Pipe Dia	M.R.P.
3000 mm	350x350mm	88.9mm	P.O.R.
4000 mm	350x350mm	88.9mm	P.O.R.
5000 mm	350x350mm	88.9mm	P.O.R.
6000 mm	350x350mm	88.9mm	P.O.R.

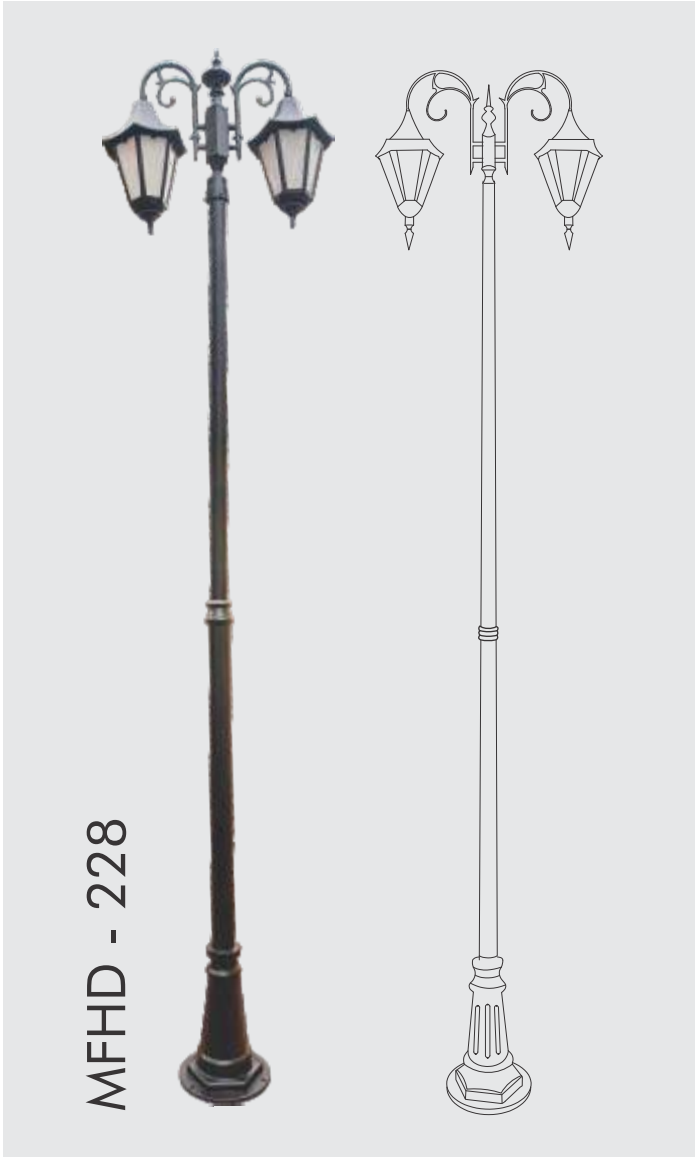
MFHD - 227

Decorative pole made of cast Iron fitted with GI pipe available with wide variety of bracket designs. (Prices are without lights.)

Height	Base Dia	Pipe Dia	M.R.P.
3000 mm	300mm	76.1mm	22500.00
4000 mm	300mm	76.1mm	25500.00
5000 mm	300mm	76.1mm	28500.00

MFHD - 227





MFHD - 228

MFHD - 228

Decorative pole made of cast aluminum base cover with GI pipe available with double arm brackets and 2 nos. cast aluminum lights

Height	Base Dia	Pipe Dia	M.R.P
3000 mm	275mm	76.1mm	33500.00
4000 mm	275mm	76.1mm	36000.00

MFHD - 228 A

Decorative pole made of cast aluminum base cover with GI pipe available with wide variety of bracket designs. (Prices are without lights)

Height	Base Dia	Pipe Dia	M.R.P
3000 mm	275mm	76.1mm	16500.00
4000 mm	275mm	76.1mm	18800.00



MFHD - 228 A



MFHD - 229

Decorative pole made of cast Iron with GI pipe available with double arm bracket & 2 cast aluminium lights.

Height	Base Dia	Pipe Dia	M.R.P.
3000 mm	265mm	60mm	31500.00
3000 mm	265mm	76.1mm	34000.00

MFHD - 230

Decorative pole made of galvanised Mild steel pipes fitted with cast aluminium embellishments duly polyurethane paint coated with cast aluminium base cover.

Height	H ₁	H ₂	B.P.	M.R.P.
3000m	139.7 (1m)	76.1(2m)	300x12	44000.00
4000m	139.7 (1m)	76.1(3m)	300x12	47200.00
5000m	139.7 (1m)	76.1(4m)	300x12	50400.00
6000m	139.7 (1m)	76.1(5m)	300x12	53500.00
7000m	139.7 (2m)	88.9(5m)	300x12	62500.00
8000m	139.7 (2m)	88.9(6m)	300x12	66400.00



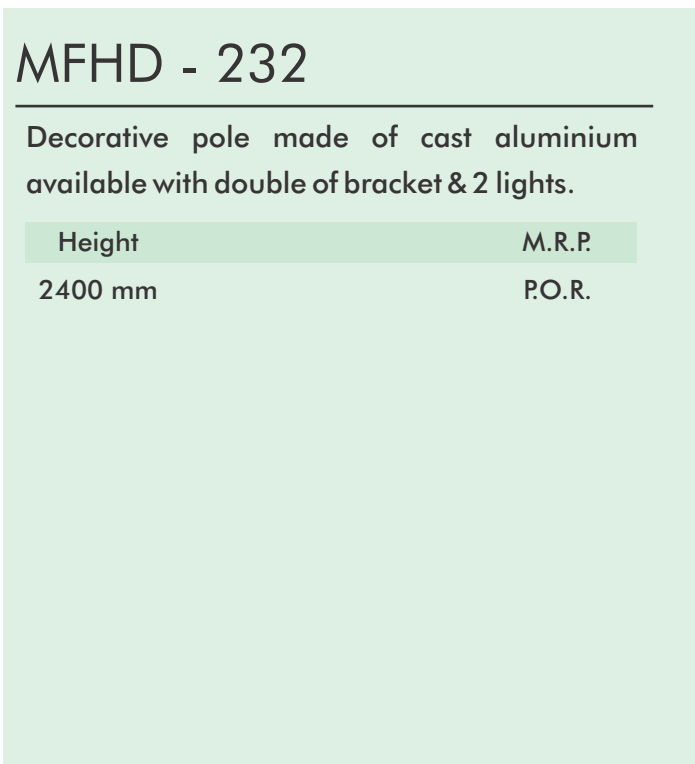


MFHD - 231

MFHD - 231

Decorative pole made of cast Iron available with combination of MS/GI pipe available with wide variety of bracket designs.

Height	Pipe Dia	M.R.P.
3000m	76mm	26600.00
4000m	76mm	24900.00
5000m	76mm	28500.00

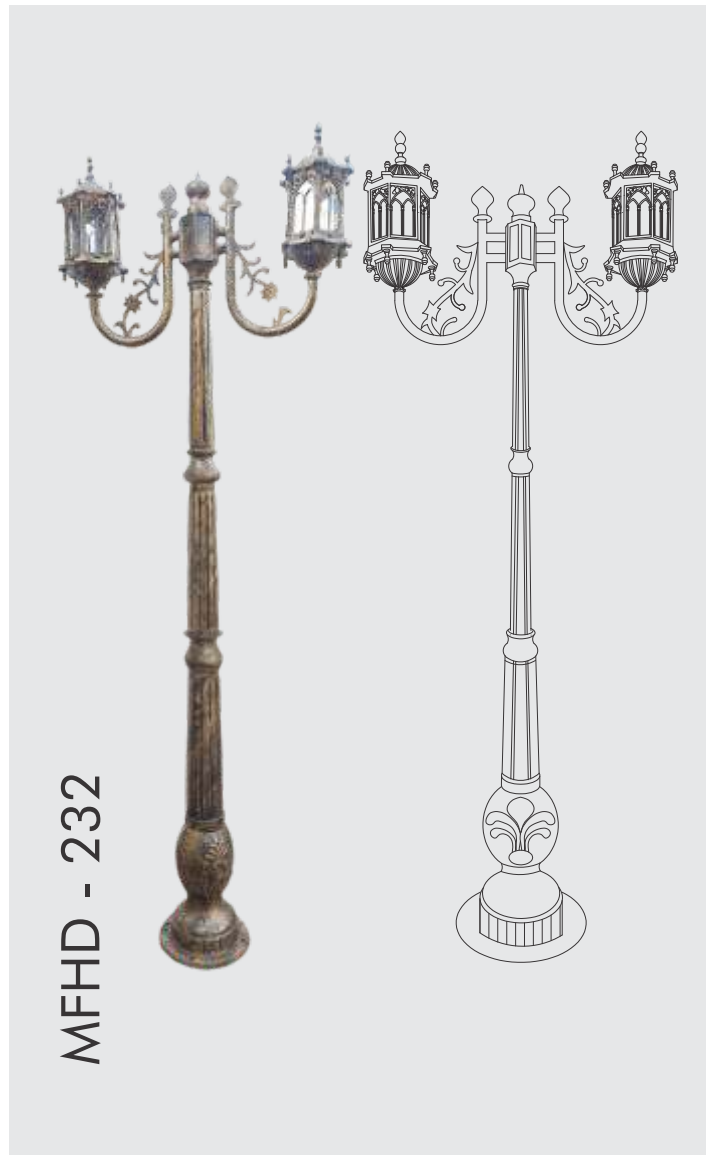


MFHD - 232

MFHD - 232

Decorative pole made of cast aluminium available with double of bracket & 2 lights.

Height	M.R.P.
2400 mm	P.O.R.



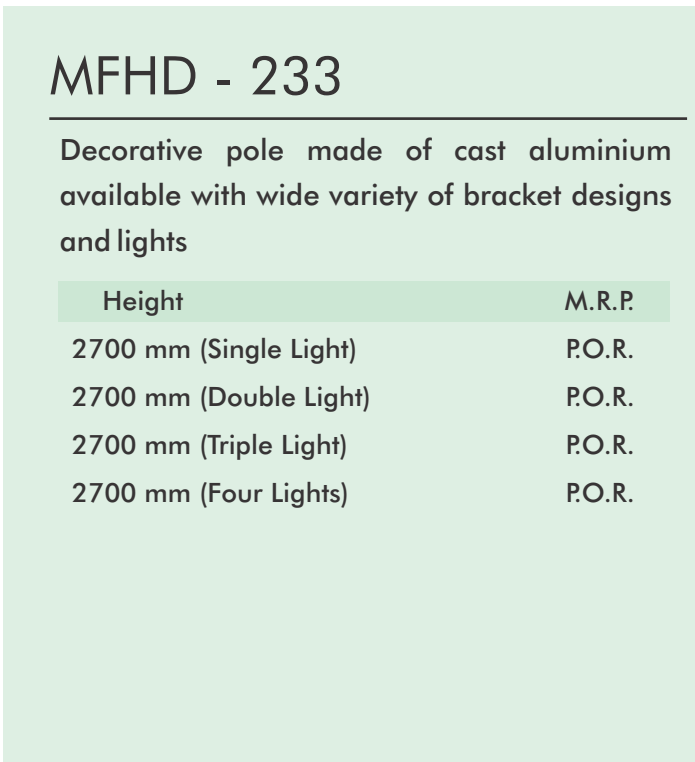


MFHD - 232 A

MFHD - 232 A

Decorative pole made of cast aluminium available with single light.

Height	M.R.P
2400 mm	44000.00



MFHD - 233

MFHD - 233

Decorative pole made of cast aluminium available with wide variety of bracket designs and lights

Height	M.R.P
2700 mm (Single Light)	P.O.R.
2700 mm (Double Light)	P.O.R.
2700 mm (Triple Light)	P.O.R.
2700 mm (Four Lights)	P.O.R.



MFHD - 234

Decorative pole made of cast Iron available with wide variety of bracket designs.

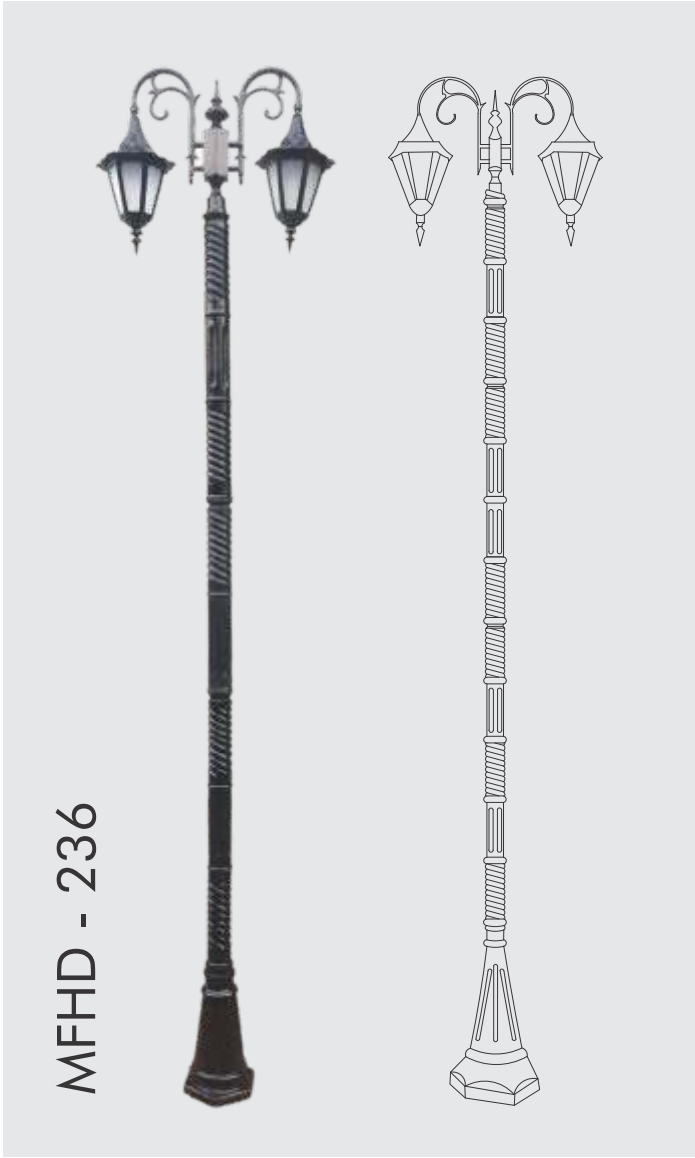
Height	Base Dia	M.R.P.
3000m	450mm	P.O.R.
4000m	450mm	P.O.R.

MFHD - 235

Decorative pole made of cast Iron base fitted with galvanised pipes (Plain/Ribbed) available with wide variety of bracket designs.

Height	Base Dia	Pipe Dia	M.R.P.
3000m	450mm	88.9mm	P.O.R.
4000m	450mm	88.9mm	P.O.R.





MFHD - 236

MFHD - 236

Decorative pole made of cast Iron available with wide variety of bracket designs and lights.

Height	M.R.P.
3000 mm	P.O.R.

MFHD - 237

Decorative pole made of ribbed pipe fitted with case aluminium base

Height	Base Plate	M.R.P.
3000m	600mm	91300.00
4000m	600mm	95000.00
5000m	600mm	98800.00
6000m	600mm	102500.00



MFHD - 237

MFHD - 237A



MFHD - 237A

Decorative pole made of ribbed pipe fitted with case aluminium base

Height	Base Plate	Pipe Dia	M.R.P.
3000m	600mm	105mm	63500.00
4000m	600mm	105mm	67000.00
5000m	600mm	105mm	72000.00
6000m	600mm	105mm	75000.00

MFHD - 238

Decorative Pole Made with combination of CNC Cut square Pipe with round pipe fitted with cast Alumium embelishments.

Height	H ₁	H ₂	H ₂	B.P.	M.R.P.
3m	200x200 (1m)	114.3(2m)	76.1(1m)	375x375x12mm	P.O.R
4m	200x200 (1m)	114.3(1m)	76.1 (2m)	375x375x12mm	P.O.R
5m	200x200 (1m)	114.3(2m)	76.1 (2m)	375x375x12mm	P.O.R
6m	200x200 (1m)	114.3(2m)	76.1 (3m)	375x375x12mm	P.O.R

MFHD - 238





MFHD - 239

MFHD - 239

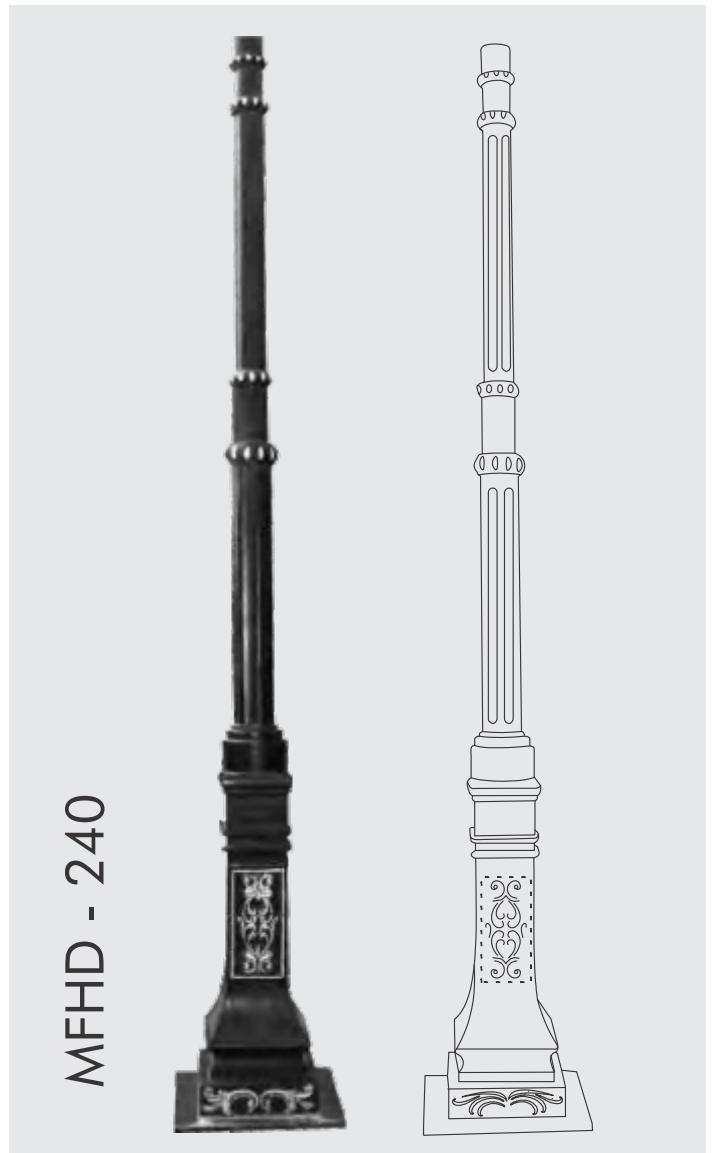
Decorative pole made of cast Iron available with combination of MS/GI pipe available with wide variety of bracket designs (Price is with tripple lights).

Height	Base Dia	Pipe Dia	M.R.P
3m	325mm	76.1mm	54850.00
4m	325mm	76.1mm	58800.00

MFHD - 240

Decorative pole made of ribbed pipe fitted with case iron base

Height	H ₁	H ₂	B.P.	M.R.P.
5000m	139.7 (1m)	114.3(2m)	400x400x12mm	P.O.R.
6000m	139.7 (1m)	114.3(2m)	400x400x12mm	P.O.R.
7000m	139.7 (2m)	144.3(2m)	400x400x12mm	P.O.R.



MFHD - 240

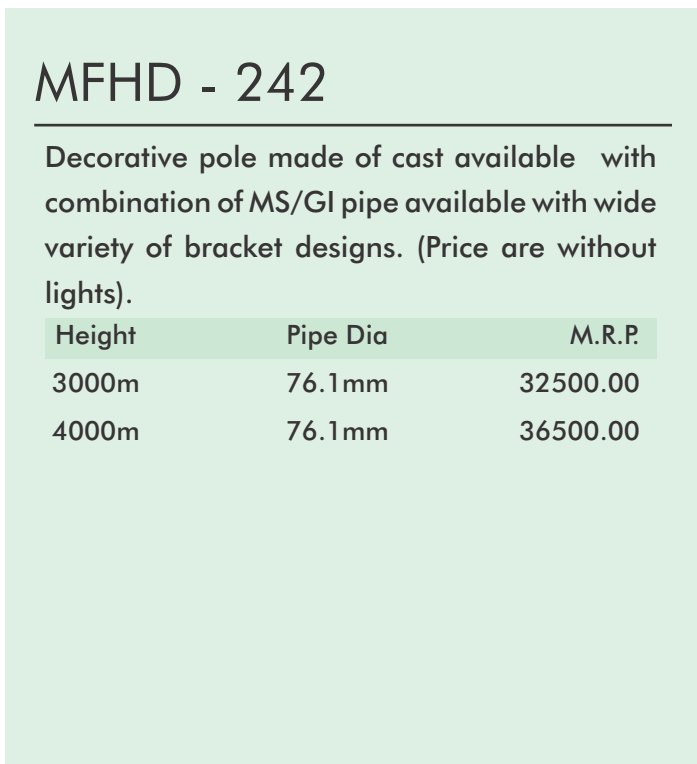


MFHD - 241

MFHD - 241

Decorative pole made of ribbed pipe fitted with case iron base.

Height	Base Dia	M.R.P.
3000m	380mm	P.Q.R
4000m	380mm	P.Q.R
5000m	380mm	P.Q.R
6000m	380mm	P.Q.R



MFHD - 242

Decorative pole made of cast available with combination of MS/GI pipe available with wide variety of bracket designs. (Price are without lights).

Height	Pipe Dia	M.R.P.
3000m	76.1mm	32500.00
4000m	76.1mm	36500.00



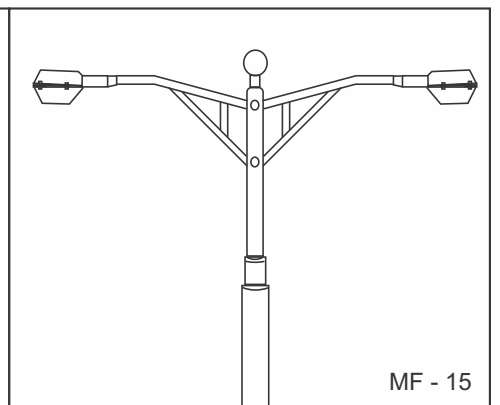
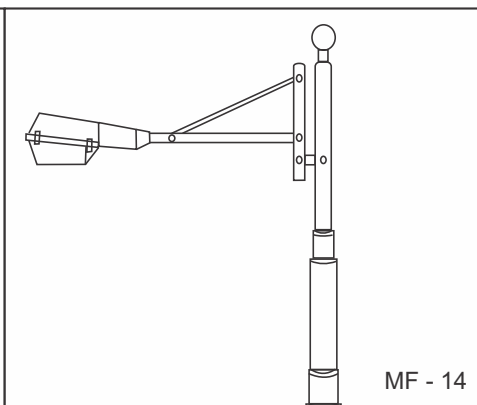
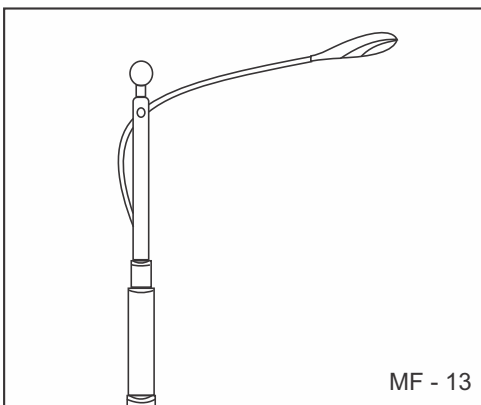
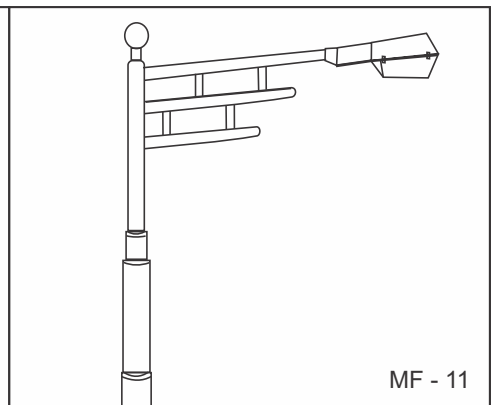
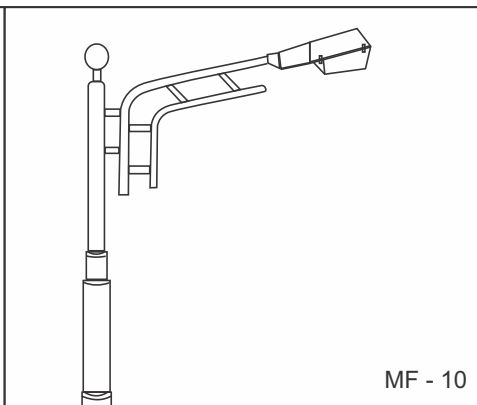
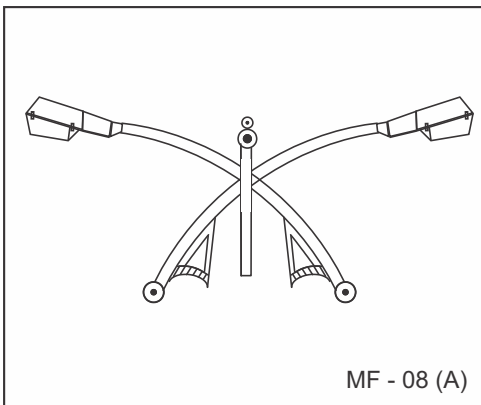
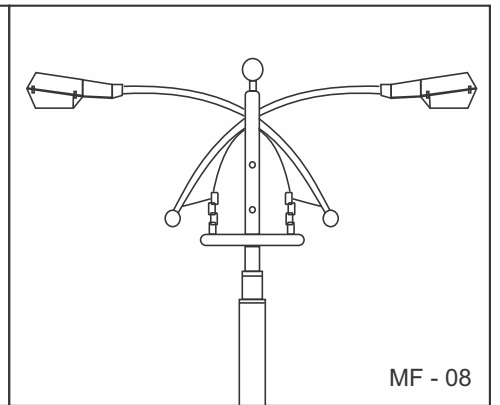
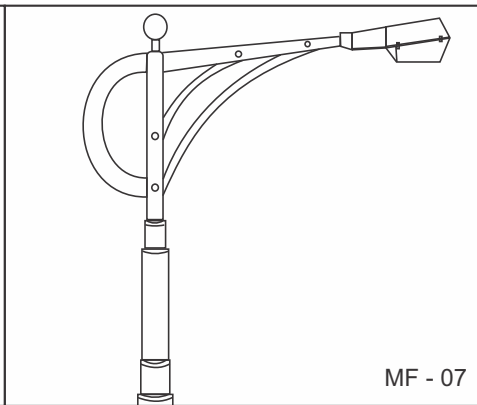
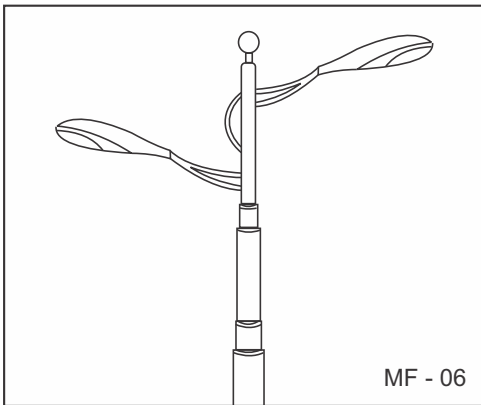
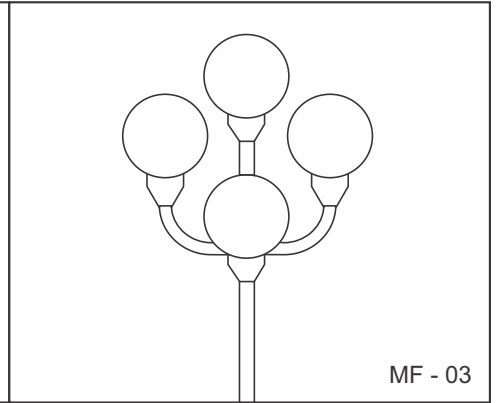
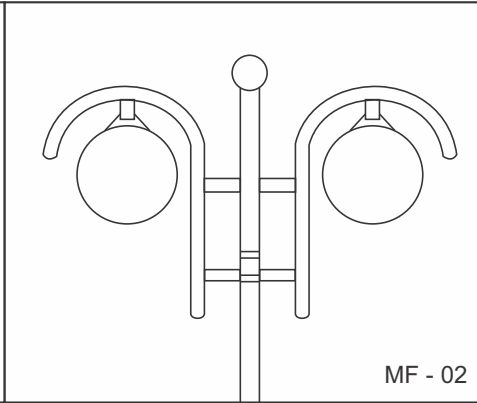
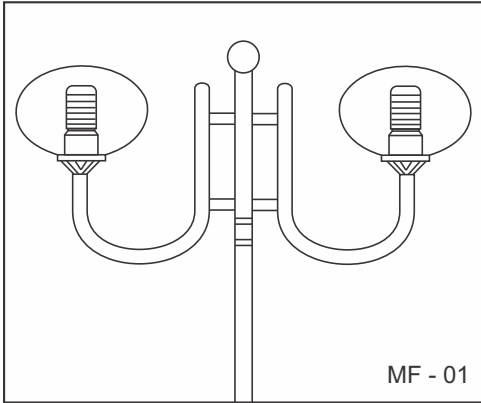
MFHD - 241

BRACKET DESIGNS

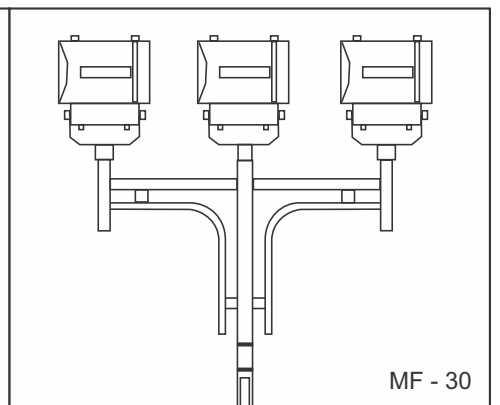
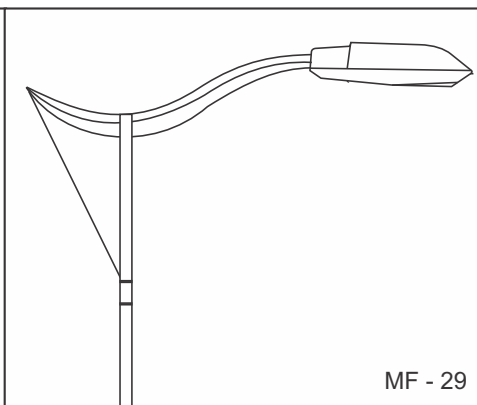
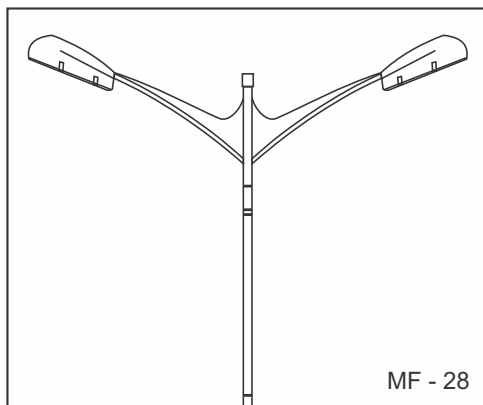
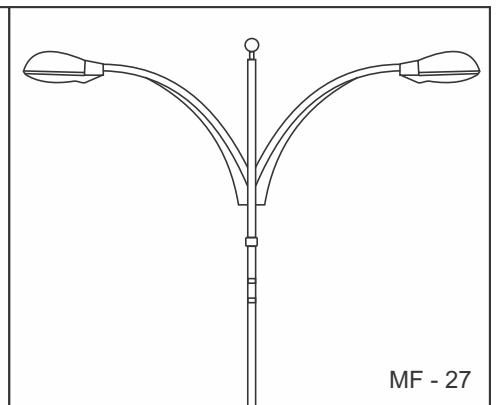
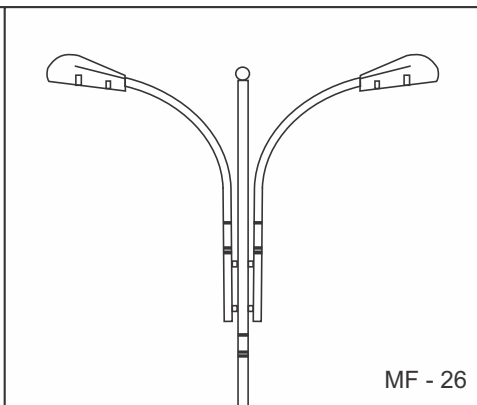
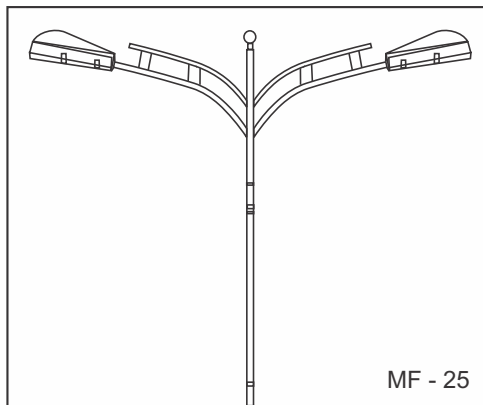
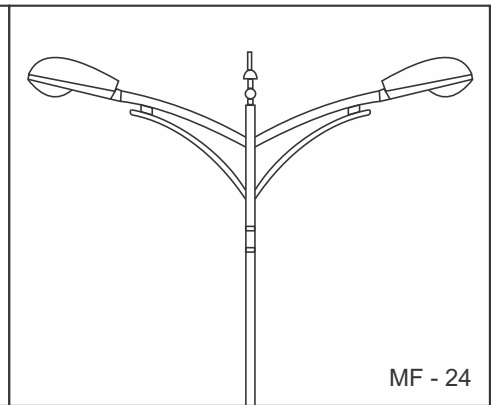
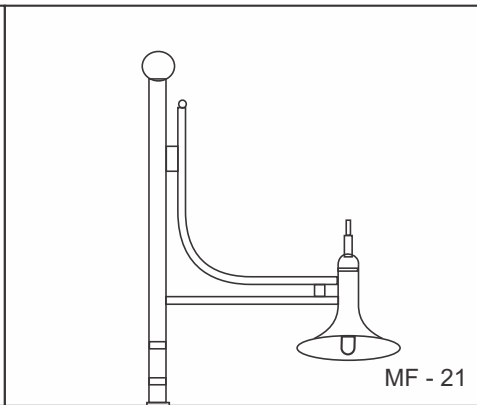
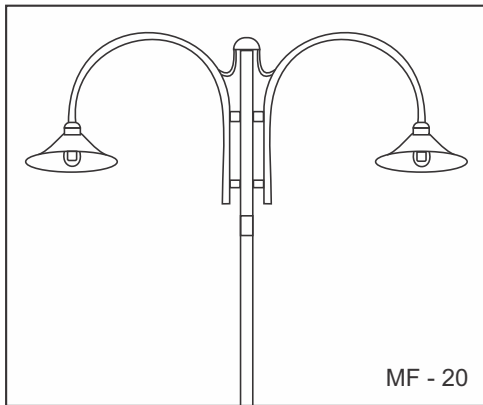
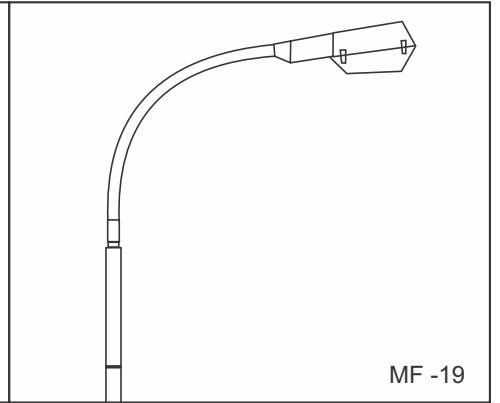
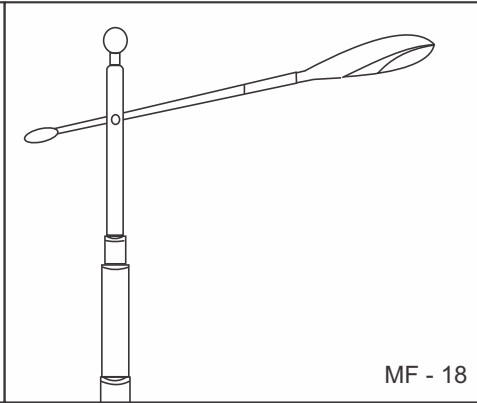
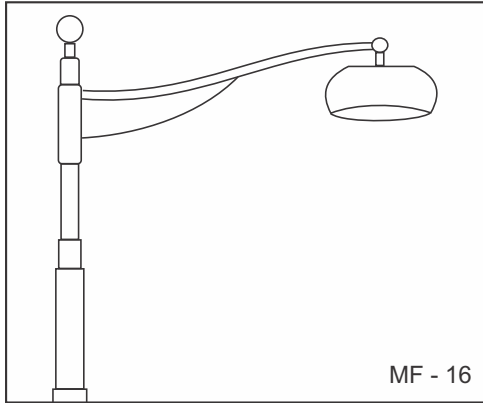


Project – PWD - Kurukshetra, Haryana

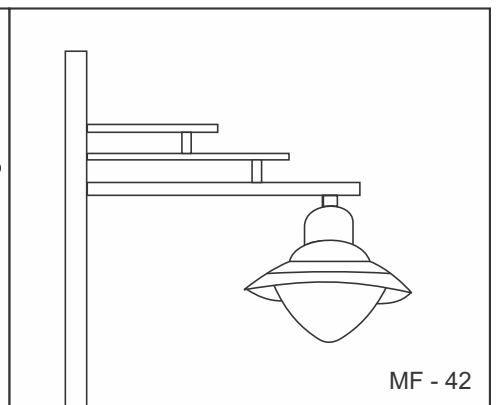
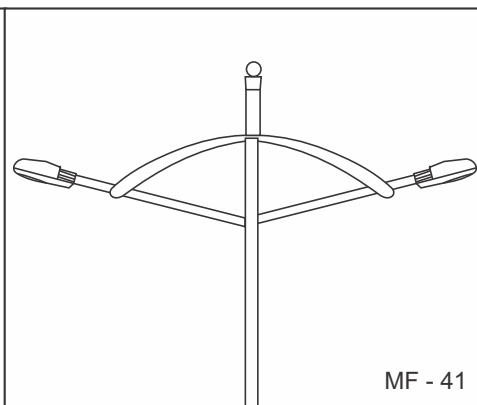
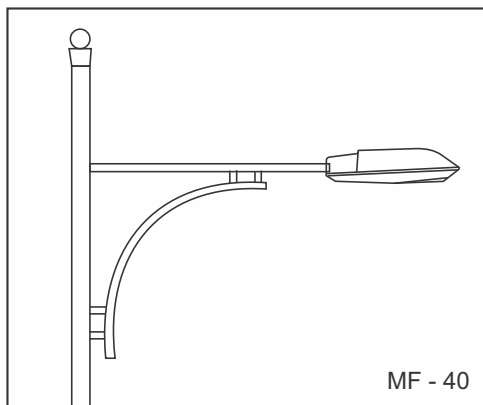
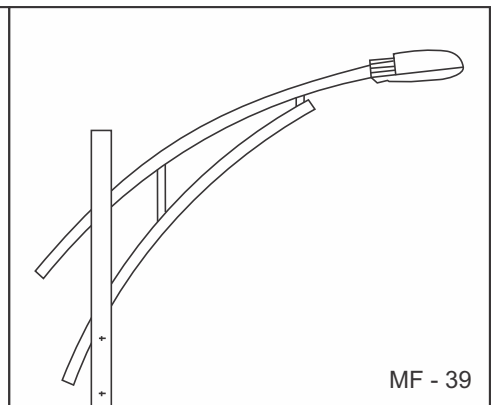
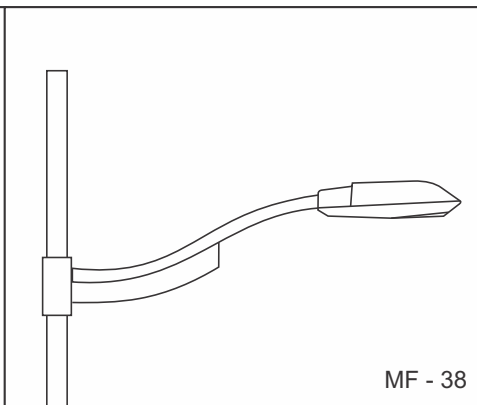
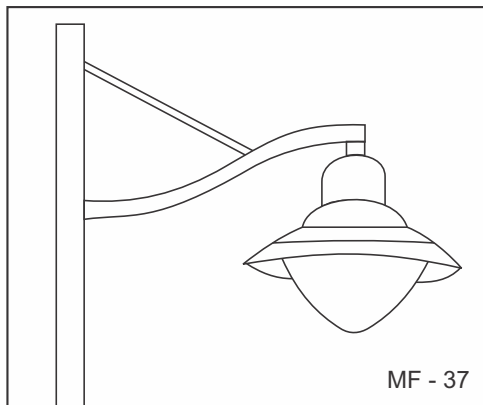
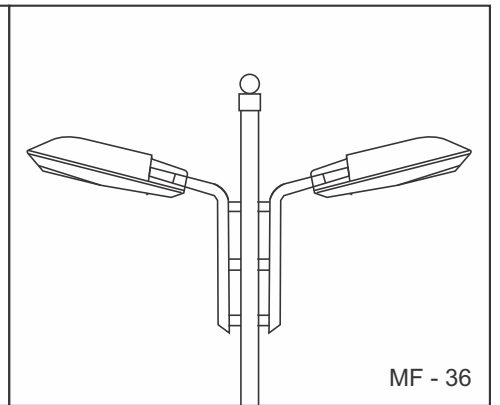
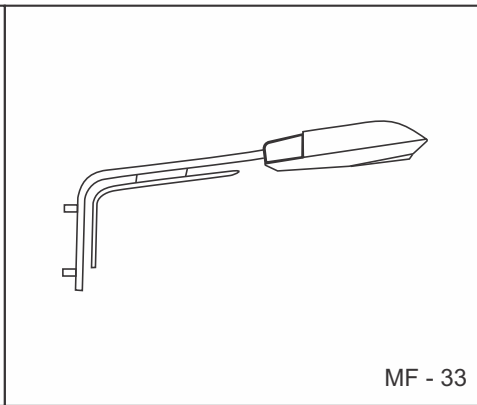
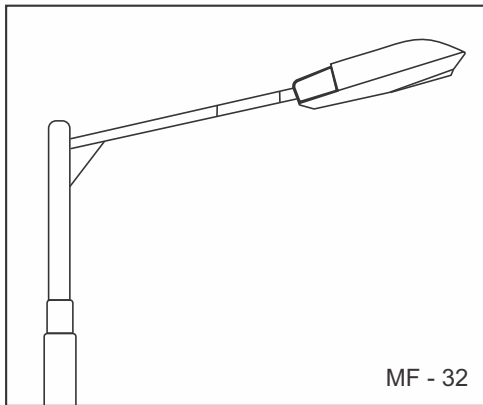
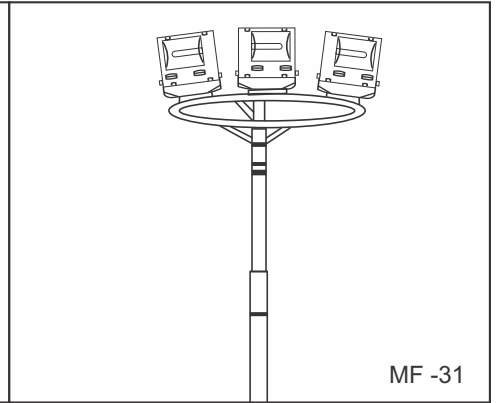
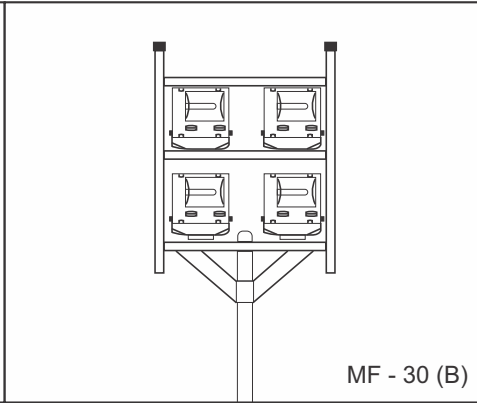
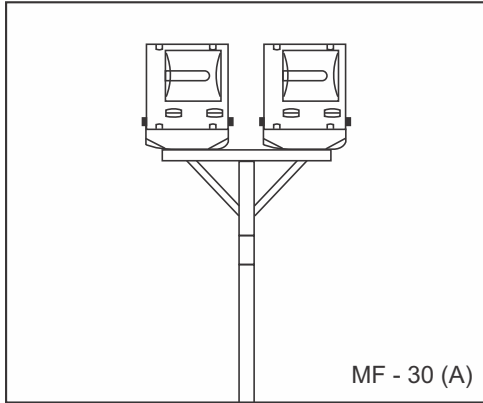
BRACKET DESIGNS



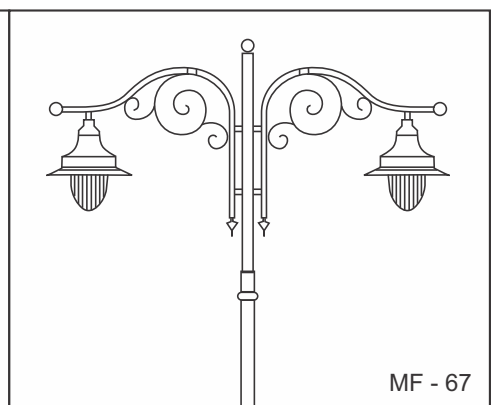
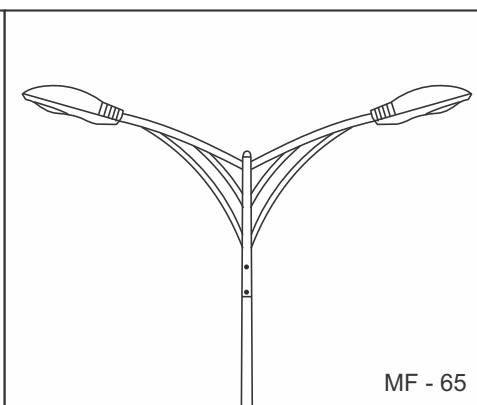
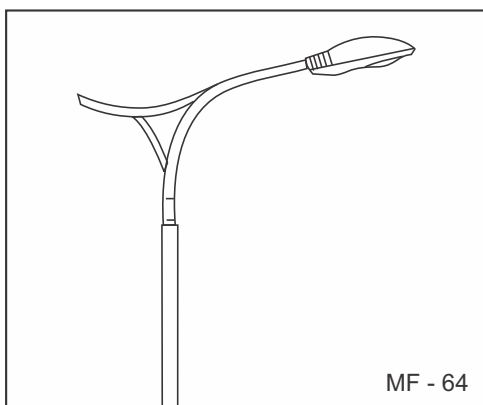
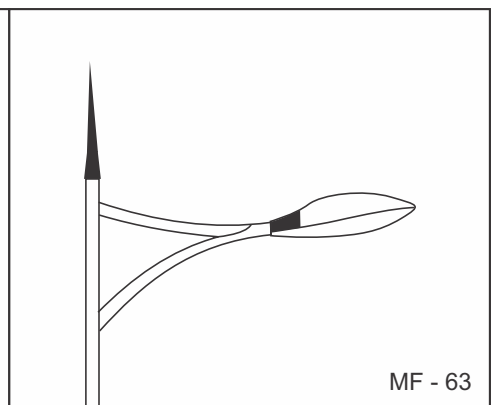
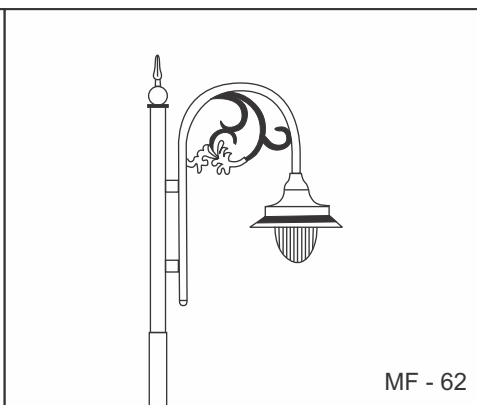
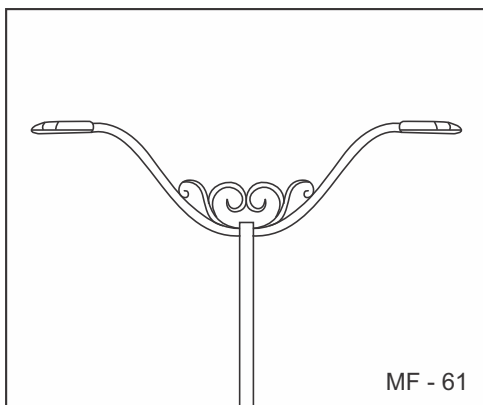
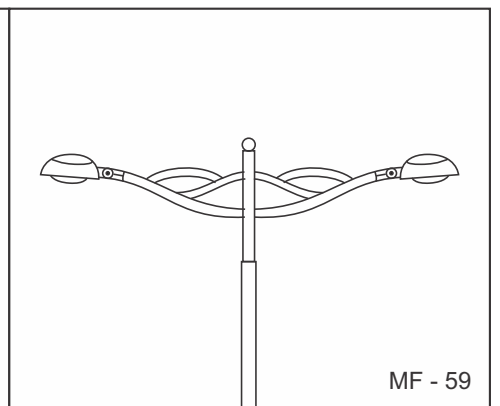
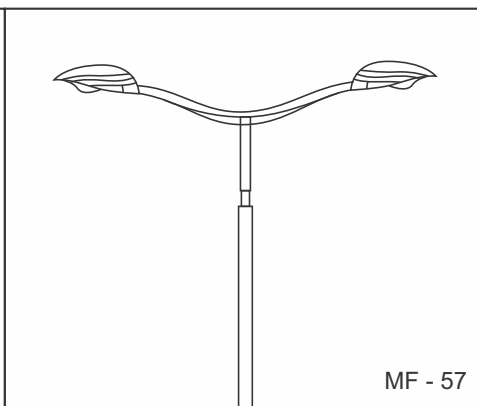
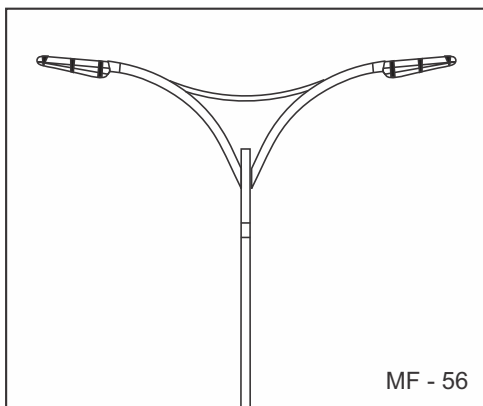
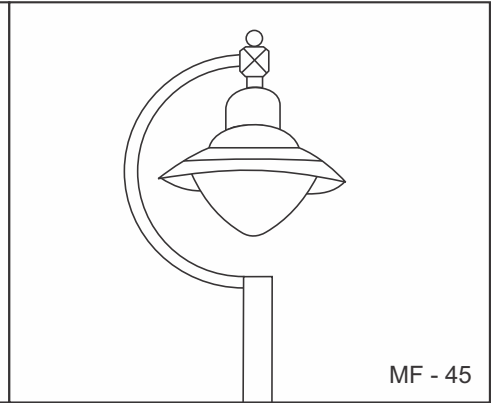
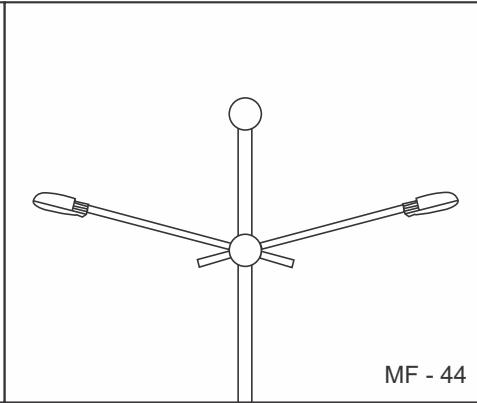
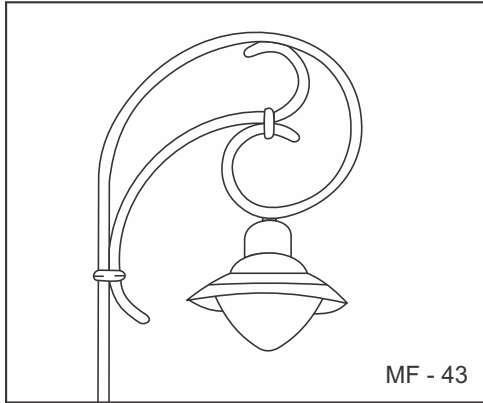
BRACKET DESIGNS



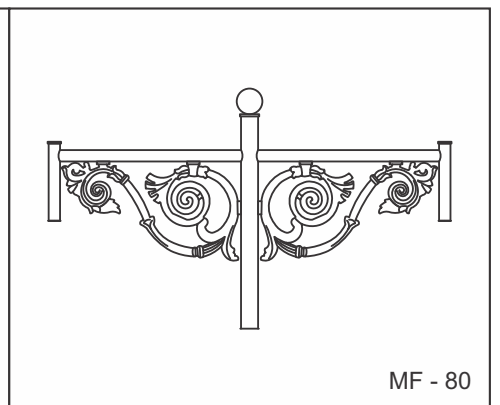
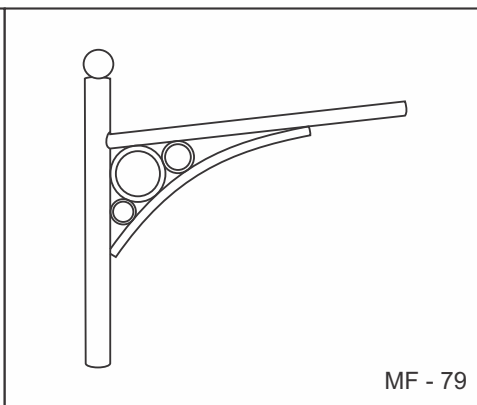
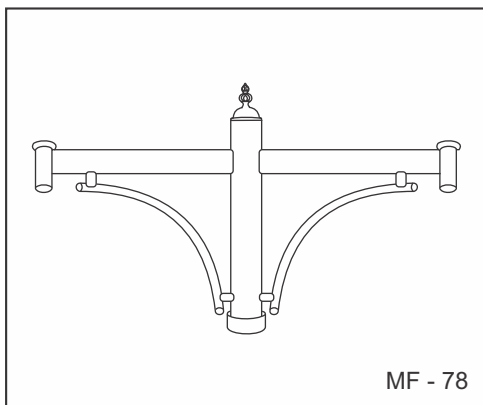
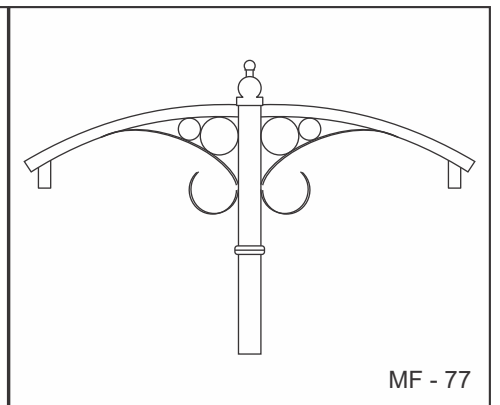
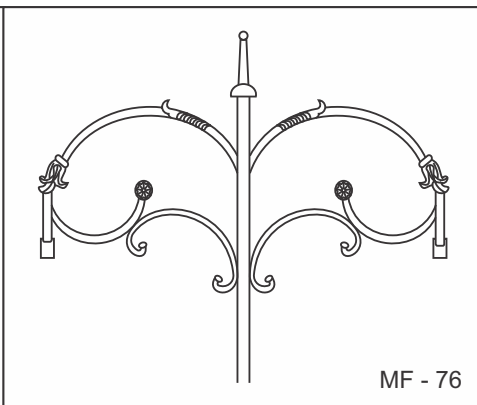
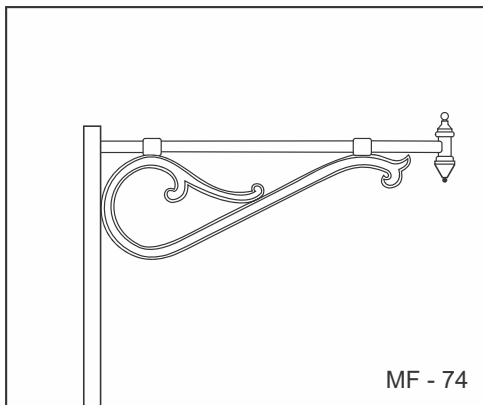
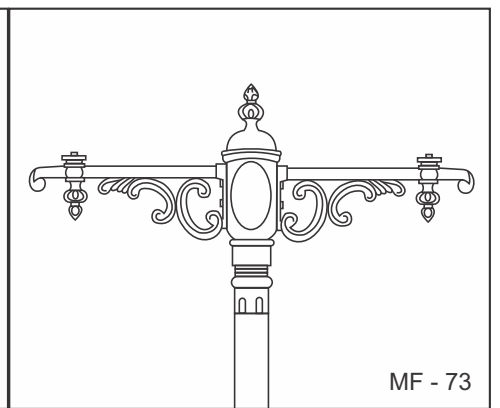
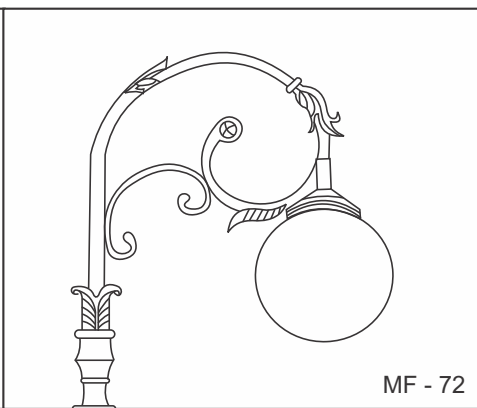
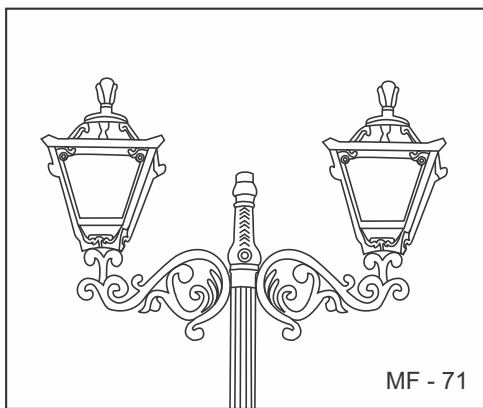
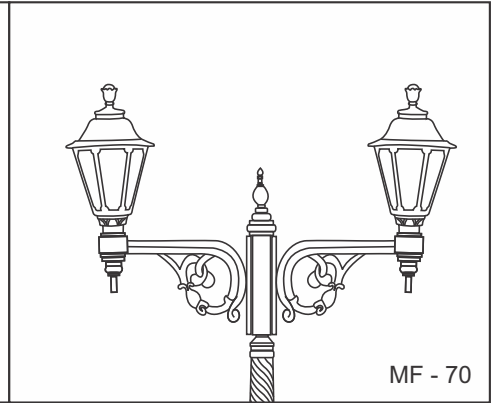
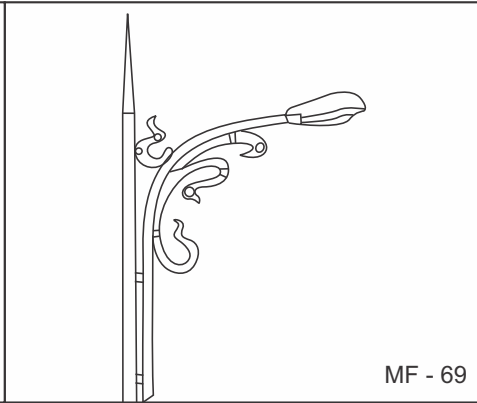
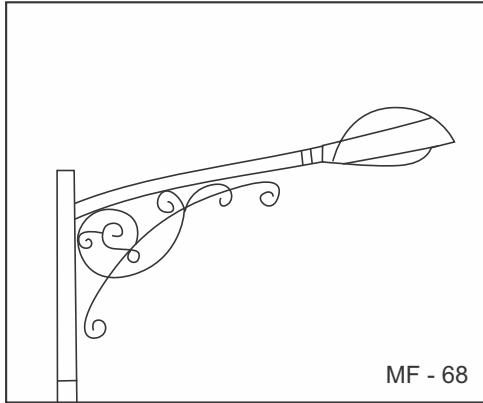
BRACKET DESIGNS



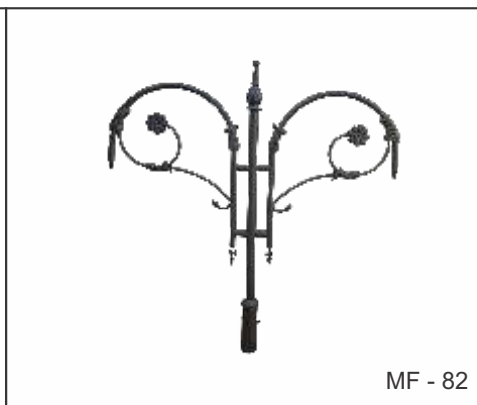
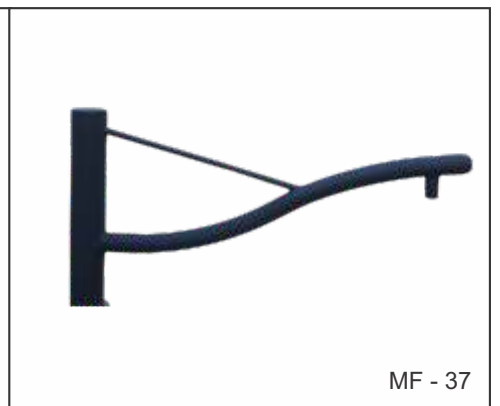
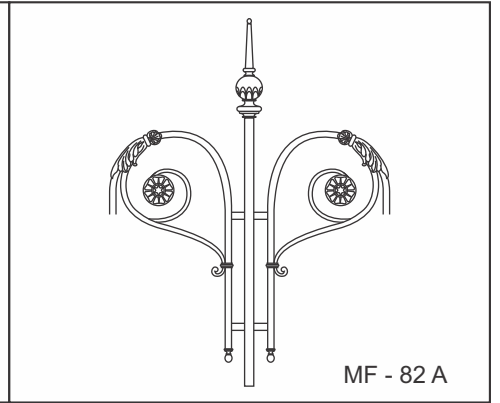
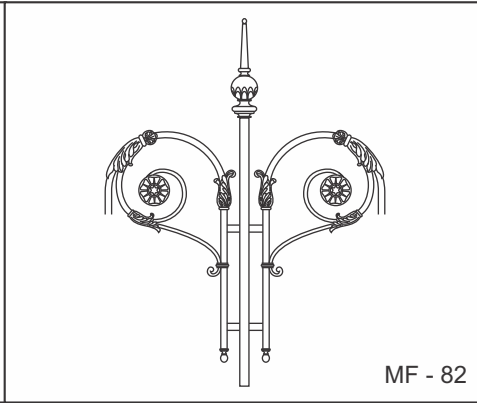
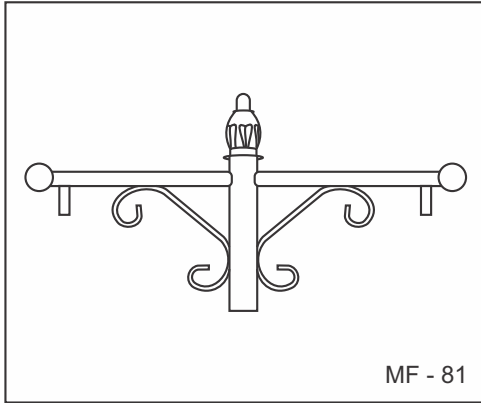
BRACKET DESIGNS



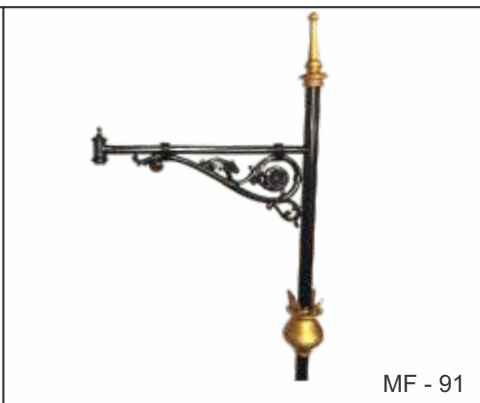
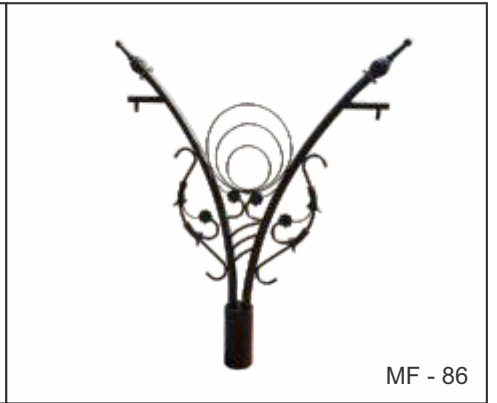
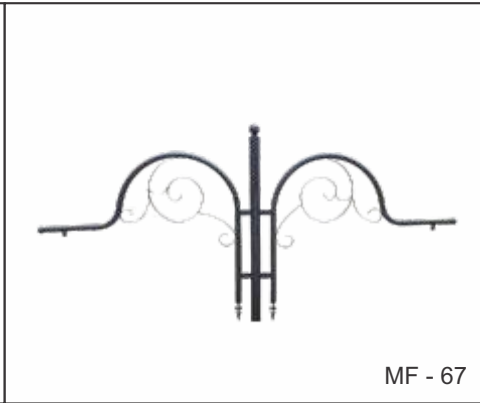
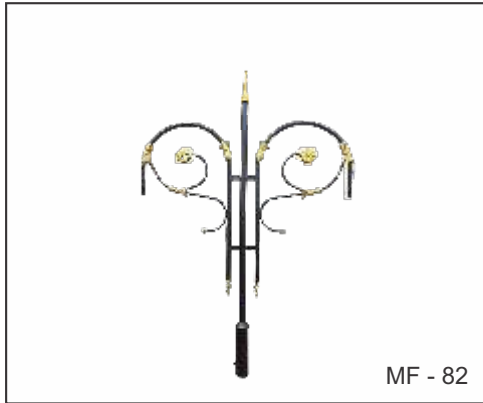
BRACKET DESIGNS



BRACKET DESIGNS



BRACKET DESIGNS



OCTAGONAL POLES



STANDARD SPECIFICATIONS

HEIGHT (Mtr.)	TOP Dia. (mm)	BOTTOM Dia. (mm)	SHEET (mm)	BASE PLATE (L x B x T)	BOLT SIZE (no. x dia.) (mm)
3	70	130	3	210 x 210 x 12	4 x 16 x 350
4	70	130	3	210 x 210 x 12	4 x 16 x 350
5	70	130	3	210 x 210 x 12	4 x 16 x 450
6	70	130	3	210 x 210 x 12	4 x 20 x 600
6	70	130	4	210 x 210 x 12	4 x 20 x 600
7	60	130	3	210 x 210 x 12	4 x 20 x 600
7	70	130	3	225 x 225 x 12	4 x 20 x 600
7	70	130	4	225 x 225 x 12	4 x 20 x 600
7	70	150	3	260 x 260 x 16	4 x 20 x 600
7	70	150	4	260 x 260 x 16	4 x 20 x 600
8	70	135	3	225 x 225 x 16	4 x 20 x 600
8	70	135	4	225 x 225 x 16	4 x 20 x 700
8	70	150	3	240 x 240 x 16	4 x 20 x 700
8	70	150	4	240 x 240 x 16	4 x 20 x 700
9	70	155	3	260 x 260 x 16	4 x 20 x 750
9	70	155	4	260 x 260 x 16	4 x 20 x 750
9	70	175	3	300 x 300 x 16	4 x 20 x 750
9	70	175	4	300 x 300 x 16	4 x 20 x 750
9	100	200	3	310 x 310 x 16	4 x 20 x 750
9	100	200	4	310 x 310 x 16	4 x 20 x 750
10	70	155	3	260 x 260 x 20	4 x 20 x 750
10	70	155	4	260 x 260 x 20	4 x 20 x 750
10	100	200	3	310 x 310 x 20	4 x 24 x 750
10	100	200	4	310 x 310 x 20	4 x 24 x 750
11	70	175	3	260 x 260 x 20	4 x 24 x 750
11	100	200	3	310 x 310 x 20	4 x 24 x 750
11	100	200	4	310 x 310 x 20	4 x 24 x 750
12	100	200	3	310 x 310 x 20	4 x 24 x 750
12	100	200	4	310 x 310 x 20	4 x 24 x 750

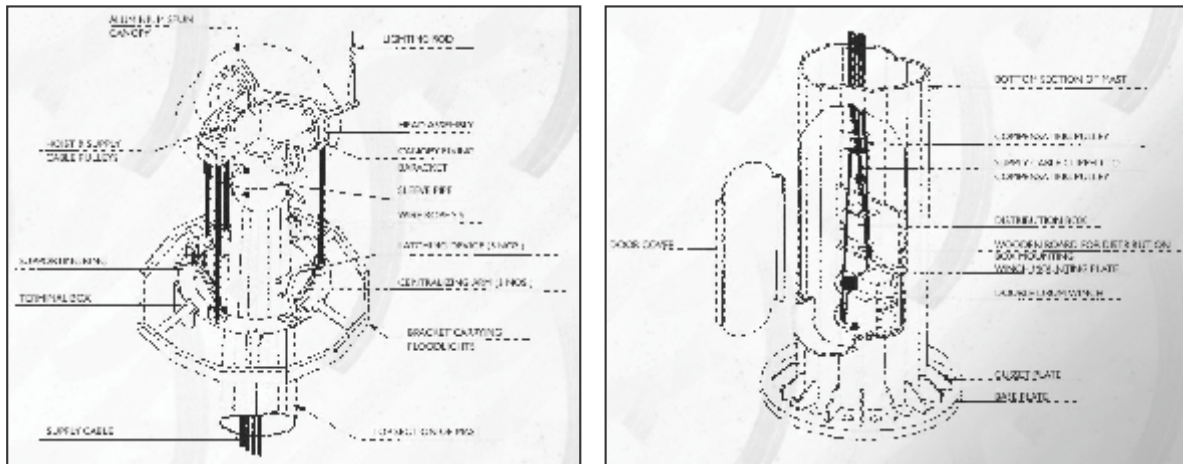
Notes :

1. The octagonal poles shall be hot galvanized in single dip to 86 micron.
2. The octagonal poles are designed for maximum wind speed of 169 km/Hr.
3. Octagonal poles of length upto 12 Mtr.
4. Octagonal poles can also be manufactured as per customer requirement.
5. Arm brackets can be supplied duly galvanized as per the customer's requirements.

HIGH MAST POLES



ACCESSORIES



Mast with continuous tapered polygonal cross section have high load bearing strength oscillation due to wind speed and related stress are fully taken care in the design.

IMPORTANT TECHNICAL FEATURES

FIXED TYPE HEAD FRAME :-

Designed with larger Dia. non corrosive aluminium pulley system for longer life and perfect balancing.

WINCHES :-

Winch designed with gear ratio 53:1 and without break or clutches. These are self lubricated for sustained trouble free life.

HIGH MAST FINISH :-

The complete mast with component is fully hot dip galvanized for longer life.

LANTERN CARRIAGE :-

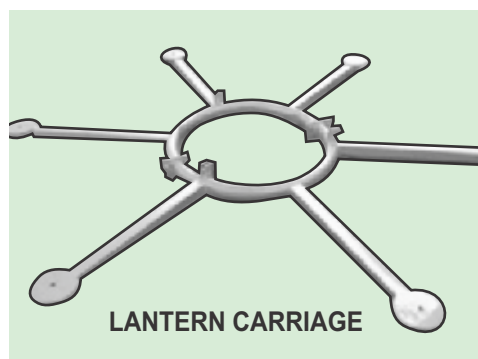
We specialize in custom built design, standard lighting design and various types and shapes. The lantern carriage is supported with three numbers flexible 6 sq. mm. S.S. wire ropes from the distributors that can be elevated/lowered electrically and mechanically.

OPTIONAL :-

The most can be supplied with timer / photo sensor panel for auto control.

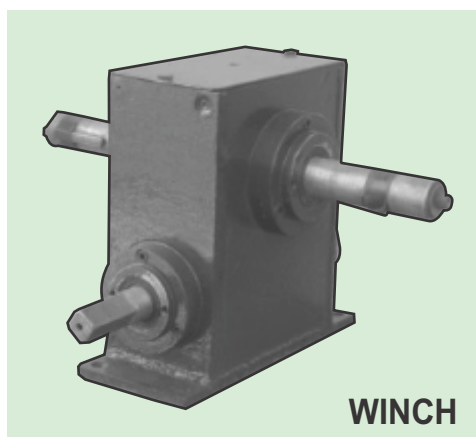
SPECIFICATIONS

	30 MTR	25 MTR	22 MTR	20 MTR
1 Material Construction	MS IS 2062/ BSEN 10025 FE 510 C	MS IS 2062/ BSEN 10025 FE 510 C	MS IS 2062/ BSEN 10025 FE 510 C	MS IS 2062/ BSEN 10025 FE 510 C
2 No. of Longitudinal Welds	Single/Double	Single/Double	Single/Double	Single
3 Cross Section of mast in Polygon (No. of Sides)	20	20	20	20
4 Thickness	4,4,4 mm	4,4,4 mm	4,4 mm	4,4 mm
5 Individual Section's Length	10500 mm	8833 mm	11375 mm	10375 mm
6 Base & Top dia (OAF)	500/150 mm 500/150 mm	485/150 mm 485/150 mm	450/150 mm 450/150 mm	450/150 mm 410/150 mm
7 Thickness of galvanization (minimum) IS 2629	86 Microns	86 Microns	86 Microns	86 Microns
8 Size of opening door at base	350x1400 mm	350x1400 mm	350x1400 mm	350x1400 mm
9 Size of base plate diameter	700 mm	685 mm	650 mm	650 mm
10 Size of base plate thickness	32 mm	32 mm	32 mm	32 mm
11 Number of foundation bolts	16	12	12	12
12 PCD of foundation bolts	1000 mm	1000 mm	830 mm	830 mm
13 Type of foundation bolts	Tor steel (410 Mpa Y.S.)	Tor steel (410 Mpa Y.S.)	Tor steel (410 Mpa Y.S.)	Tor steel (410 Mpa Y.S.)
14 Bolt diameter	28 mm	28 mm	28 mm	28 mm
LANTERN CARRIAGE :				
15 Number of fittings	AS PER CUSTOMER'S REQUIREMENT			
WINCH (VSP Make) :				
16 Drum's	2 Nos.	2 Nos.	2 Nos.	
17 Capacity	750 kg	750 kg	750 kg	
18 Number of ropes/thickness	3 nos./8mm	3 nos./6mm	3 nos./6mm	
Head - 3 PULLY SYSTEM				



SPECIFICATIONS

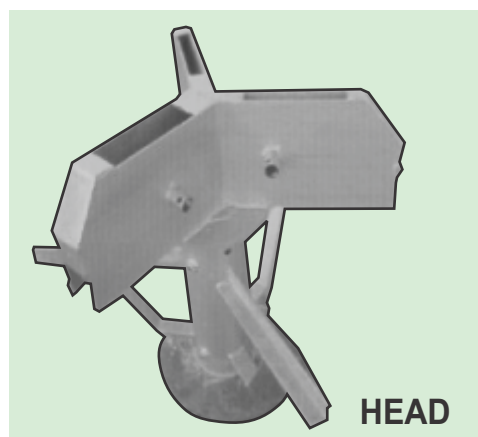
	18 MTR	16 MTR	15 MTR		
1 Material Construction	MS IS 2062/ BSEN 10025 FE 510 C	MS IS 2062/ BSEN 10025 FE 510 C	MS IS 2062/ BSEN 10025 FE 510 C		
2 No. of Longitudinal Welds	Single	Single	Single		
3 Cross Section of mast in Polygon (No. of Sides)	20	20	20		
4 Thickness	4,4 mm	4,3 mm	4,3 mm		
5 Individual Section's Length	9375 mm	8300 mm	7800 mm		
6 Base & Top dia (OAF)	360/150 mm 410/150 mm	360/150 mm 410/150 mm	360/150 mm 410/150 mm		
7 Thickness of galvanization (minimum) IS 2629	86 Microns	86 Microns	86 Microns		
8 Size of opening door at base	350x1100 mm	350x1100 mm	350x1100 mm		
9 Size of base plate diameter	625 mm	625 mm	625 mm		
10 Size of base plate thickness	32 mm	32 mm	32 mm		
11 Number of foundation bolts	6/8	6/8	6/8		
12 PCD of foundation bolts	830 mm	830 mm	830 mm		
13 Type of foundation bolts	Tor steel (410 Mpa Y.S.)	Tor steel (410 Mpa Y.S.)	Tor steel (410 Mpa Y.S.)		
14 Bolt diameter	25 mm	25 mm	25 mm		
AS PER CUSTOMER'S REQUIREMENT					
	2 Nos.	2 Nos.	2 Nos.	2 Nos.	2 Nos.
	750 kg	750 kg	750 kg	750 kg	750 kg
	3nos./6 mm	3nos./6 mm	3nos./6 mm	3nos./6 mm	3nos./6 mm



WINCH

SPECIFICATIONS

	13 MTR	12.5 MTR	12 MTR		
1 Material Construction	MS IS 2062/ BSEN 10025 FE 510 C	MS IS 2062/ BSEN 10025 FE 510 C	MS IS 2062/ BSEN 10025 FE 510 C		
2 No. of Longitudinal Welds	Single	Single	Single		
3 Cross Section of mast in Polygon (No. of Sides)	8	8	8		
4 Thickness	3,3 mm	3,3 mm	3 mm		
5 Individual Section's Length	6800 mm	6700 mm	6300 mm		
6 Base & Top dia (OAF)	360/150 mm 360/150 mm	310/150 mm 340/150 mm	310/150 mm 340/150 mm		
7 Thickness of galvanization (minimum) IS 2629	86 Microns	86 Microns	86 Microns		
8 Size of opening door at base	250x1000 mm	250x1000 mm	250x1000 mm		
9 Size of base plate diameter	560 mm	560 mm	500 mm		
10 Size of base plate thickness	32 mm	32 mm	32 mm		
11 Number of foundation bolts	6	6	6		
12 PCD of foundation bolts	830 mm	830 mm	830 mm		
13 Type of foundation bolts	Tor steel (410 Mpa Y.S.)	Tor steel (410 Mpa Y.S.)	Tor steel (410 Mpa Y.S.)		
14 Bolt diameter	25 mm	25 mm	25 mm		
AS PER CUSTOMER'S REQUIREMENT					
	2 Nos.	2 Nos.	2 Nos.	2 Nos.	2 Nos.
	750 kg	750 kg	750 kg	750 kg	750 kg
	3nos./6 mm	3nos./6 mm	3nos./6 mm	3nos./6 mm	3nos./6 mm



MAYFAIR[®] LIGHTING LLP

D 36, Hosiery Complex, Phase-2, Noida - 201305 (U.P.) India

Ph. : 00-91-120-4333028 & 4333029

Email : info@mayfair.net.in www.mayfair.net.in

